



Adding values to your living spaces

**2023**  
**MODEL MULTISILVER**  
WC CUBICLE CATALOGUE  
**02**

SANDER

S  
I  
N  
C  
E  
2001

## Our Brand **Vision**

**From Turkey to the World**, with **environmental**,  
ecological, and national values...

## EXPORT TO 26 DIFFERENT COUNTRIES



Since 2001, SANDER, the industry leader, has expanded its production and export volume.

It is a global brand that is continually expanding.

With cubicle manufacture, we specialize in providing comfort to living areas.

"High quality service at an affordable price" has been our motto from the day we opened our doors.

Our enterprise, which operates entirely with local capital and products, generates both employment and significant economic contributions to our country.

A model structure in terms of the significance it places on technology, R&D, design, and human resources.

SANDER, which is a "sustainable" discipline concept, gains an environmental business strategy.

Because of its environmental business strategy, SANDER is a "sustainable" discipline concept. acquires.

SANDER, which continuously decreases its carbon emissions through a regulated follow-up, plans to meet the "zero waste" aim by 2030.

The tagline "Adds value to your living spaces" inspires the design of practical, colorful, and dependable items.

SANDER provides comfort in over 20 nations.

### IT IS DURABLE

With its attractive lines, the **Multisilver** product group delivers modern and universal lines to your living areas. WC cubicles provide modern accents while meeting the highest quality criteria in the manufacturing industry.

In addition to rich color possibilities, the **Multisilver** product range fits seamlessly into your living areas. It satisfies various requirements and is customer-focused. It has the advantage of easy installation and usage with adjustable accessory heights.

This product, which is suitable for widespread public usage, provides a decisive answer in a variety of settings ranging from schools to hospitals, industries and workshops to non-governmental organizations. Its strength is powerful and long-lasting since it is manufactured with exceptional engineering intelligence.

**MODEL MULTISILVER**  
**Product Code: 10101A012**

## Value Adding **Features**

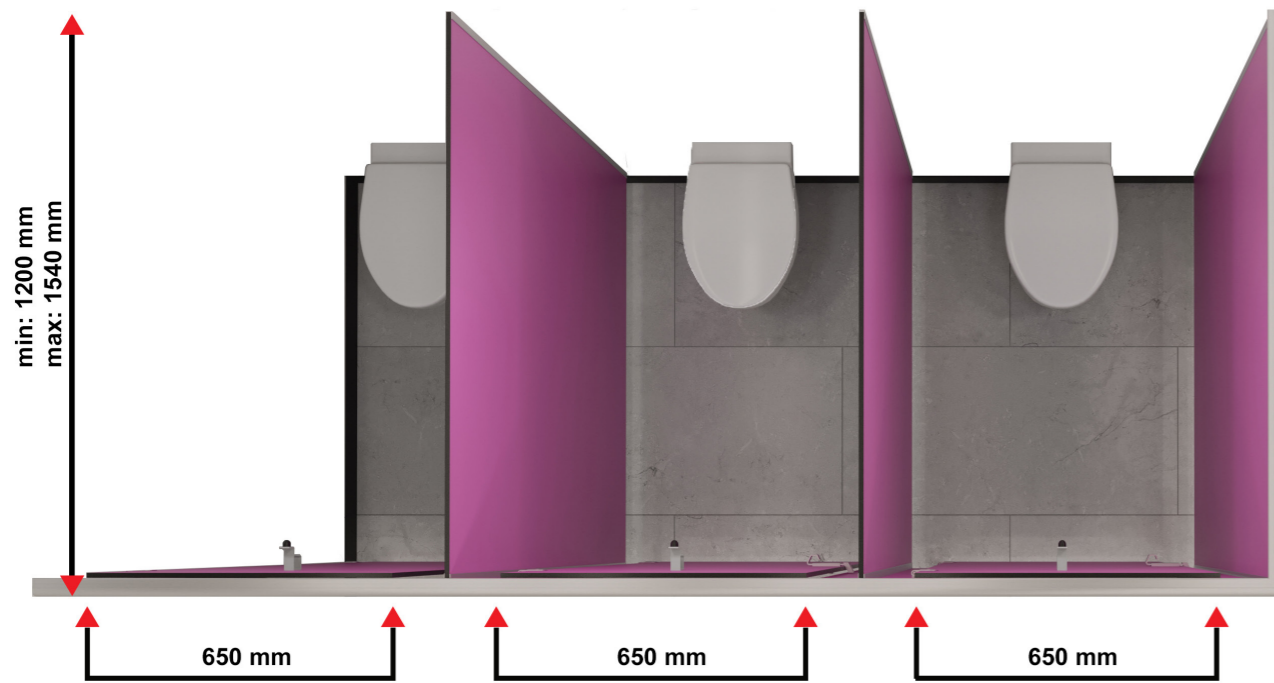
### Quality details and advantages;

- Our panels are 12 mm thick and water and humidity resistant.
- Our panels are antibacterial and feature easy-to-clean surfaces.
- Our cabins' panels and fasteners are certified.
- This product line makes use of first-rate album raw materials.
- Aluminium is used for the connection, support, and auxiliary elements.
- Satin stainless steel is used to make connection, support, and complimentary pieces (SSS 304 quality).
- Product line of the SANDER Multisilver series.
- Produced with cutting-edge technology and engineering expertise.
- It has been designed with the notion of adding value to living spaces in mind.
- Designs that were unique, innovative, and colorful were employed.
- Water, humidity, heat, and cold have no effect on it.
- It has a strong abrasion resistance.
- It is entirely made in Turkiye.
- It creates direct jobs and contributes to the Turkish economy.
- Customer satisfaction is prioritized both before and after the transaction.
- For this product, you may select static paint from the RAL color chart.

*Modern lines are hidden in the details.*

With A Three-Dimensional Perspective  
**PRECISE DETERMINATION, AND DEFINITIVE SOLUTION**

TOP VIEW



FRONT VIEW





**S** SANDER  
**M** MODEL NAME  
**01** PRODUCT CODE  
**M** PRODUCT TYPE  
**012** PANEL THICKNESS



**SM07M012**

**HANGER**  
 • It is made of anodized aluminum double hook.  
 • This ergonomic product is 35 mm in width and 55 mm in height.  
 • Aluminum was used in the manufacturing of this product.  
 • It is corrosion-free within the guarantee term.  
 • Water and humidity resistant.  
 • Plastic material is added at the product's end to serve as a stopper and prevent impacts.



**PS0112M**

**U - Connection Profile**  
 • The edges of the panel are not visible when the cabin system spins to the application of this connection piece.  
 • The U profile's exterior dimensions will be 22 x 15 mm, with a wall thickness of 1.5 mm.  
 • It will be used to link U profile-Wall and U profile-Divider Panels.  
 • Its dimensions are 4.2 x 11 mm. Thick threaded, stainless steel screws are used to fasten it.



**SM04M012**

**LOCK**  
 • They're compatible with both 12 mm and 18 mm HPL panels.  
 • It has a mechanism for sliding.  
 • Matte metal body and handle.  
 • Antibacterial plastic floor connection.  
 • Sliding is used for locking.



**PS0412M**

**Corner Connection Profile**  
 • The edges of the panel are not visible when the cabin system spins thanks to the application of this connection piece.  
 • Size: 30 x 30 mm.  
 • Compact laminate panels will grab the corner profile on all sides.  
 • This product attached using 304 grade stainless steel screws with a coarse thread measuring 4.2 x 11 mm...



**PS0212M**

**Top Panel Connection Profile**  
 Matte anodized metal top Profiles will be installed on the cabinet system's top, front, and side edges.  
 • A curved profile with dimensions of 50 mm x 45 mm and a wall thickness of 1.2 mm will be utilized as the header profile



**SM03M012**

**HINGE**  
 • This product belongs to the category of closed (panel overlap) style door systems.  
 • There is graded ABS plastic for closing (panel rebated) door systems that allows the doors to close automatically.  
 • Metal pieces will be composed of anodized aluminum.  
 • They're compatible with both 12 mm and 18 mm HPL panels.



**SM01M012**

**LEG**  
 • The size range is 150-200 mm, with a diameter of 27mm.  
 • They're compatible with both 12 mm and 18 mm HPL panels.  
 • They're linked to the anti-bacterial plastic floor.  
 • Body is produced with matte anodized aluminum.  
 • It has a carrying capacity of 70 kg.  
 • It has 32 mm diameter leg cover.

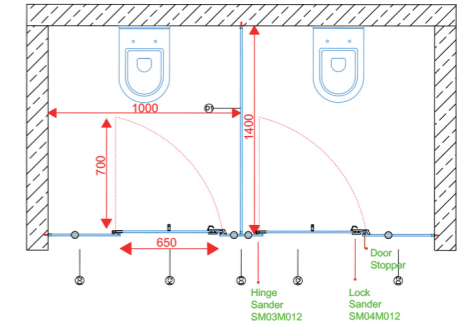


**SM08M012**

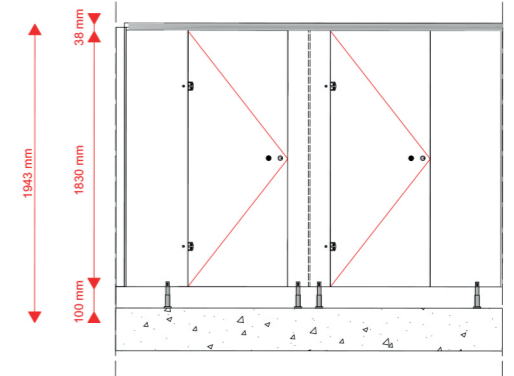
**GRIP**  
 • It is 25 mm in diameter, and 32 mm in length.  
 • It has an M8x35 grub screw connection.  
 • It is not affected by water, humidity and corrosion.  
 • It is warranty is covered by SANDER's guarantee.



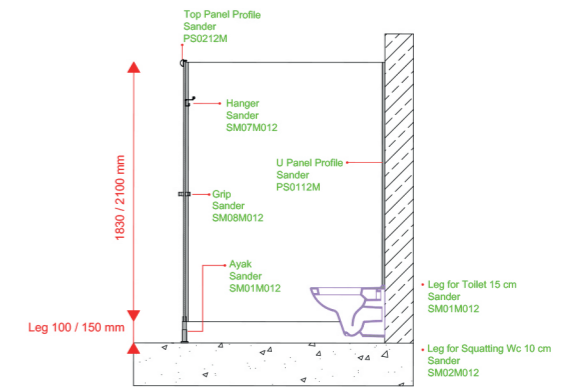
TOP VIEW



FRONT VIEW



SIDE VIEW



HINGE DETAIL



DOOR DETAIL



LOGO DETAIL  
 CNC machine with logo on lock side will be etched on the back side of each door panel.



LOCK DETAIL

**PANELS**  
 The feature is 12 mm Compact laminate panels with double surface decorative, water, scratch, and break resistant, bacteria free, and fire retardant. CGS - CGF EN 438-4 class

**LOCK**  
 The door opens with the colored mechanism on the mechanism (SLIDE). It indicates whether or not it is busy from the outside. It's made of MATTE anodized aluminum.

**HINGE**  
 Matte Anodized Aluminum for single-face (CLOSING SYSTEM) door systems, with self-closing, degrees adjustable, and security screw.

**LEG**  
 Anti-bacterial plastic floor connection, matte anodized metal. The adjustable height is 100-150 mm, making it suited for moist regions in general. It aids in adapting to the current slope.

**CONNECTIONS AND PROFILES**  
 At junctions, head profiles and "U" profiles MAT aluminum, panel-wall, and panel-panel are utilized. Fasteners used in cabinet assembly are all stainless steel.



**Accessories**



## Leg

Product Code - SR01M012

- The size range is 150-200 mm, with a diameter of 30mm.
- It has adjustable height (between 150 mm- and 200 mm)
- They're compatible with both 12 mm and 18 mm HPL panels.
- It aids in the adaptation to all types of sloping slopes in wet areas.
- They're linked to the anti-bacterial plastic floor.
- Body is produced with matte anodised aluminum.
- 30mm. This unique product's upper portion has an oval shape in its diameter. (Has no dirt in it)
- The product is screwed plastic with a diameter of 34 mm.
- Two head screws are used to secure the plate.
- Offers long-lasting strength in heavy use in public spaces;
- Sander guarantees product quality;
- The sole of the foot is secured to the ground with 5x40 YHB screws with specific support shoes connected to a single point.



NOT AFFECTED BY  
WATER



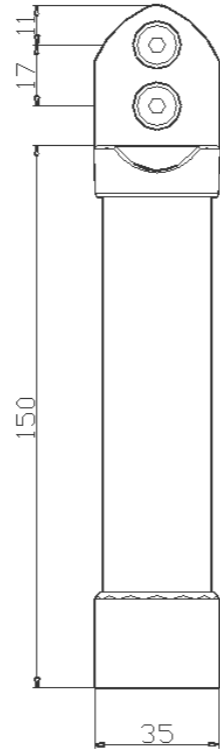
CORROSION  
RESISTANT



MATTE ANODIZED  
ALUMINUM COATING



0,272 kg



The details make a solid stance.

To make the floor squarer when the product is fitted, add 20 mm. enables movement freedom.







## Leg

Product Code - SR02M012



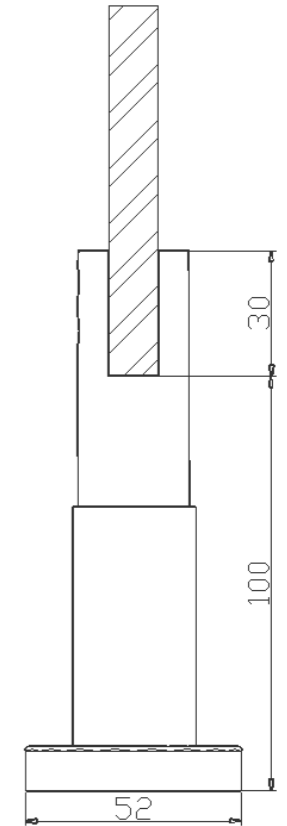
- The size range is 100-150 mm, with a diameter of 30mm.
- It has adjustable height (between 150 mm- and 200 mm)
- They're compatible with both 12 mm and 18 mm HPL pannels.
- It aids in the adaptation to all types of sloping slopes in wet areas.
- They're linked to the anti-bacterial plastic floor.
- Body is produced with matte anodised aluminum.
- 30mm. This unique product's upper portion has an oval shape in its d (Has no dirt in it)
- The product is screwed plastic with a diameter of 34 mm.
- Two head screws are used to secure the plate.
- Offers long-lasting strength in heavy use in public spaces;
- Sander guarantees product quality;



 0,186 kg

 Certificate  
CE

 Certificate  
ISO 9001:2015



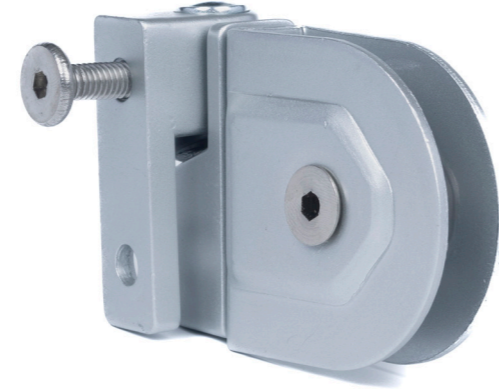


# Hinge

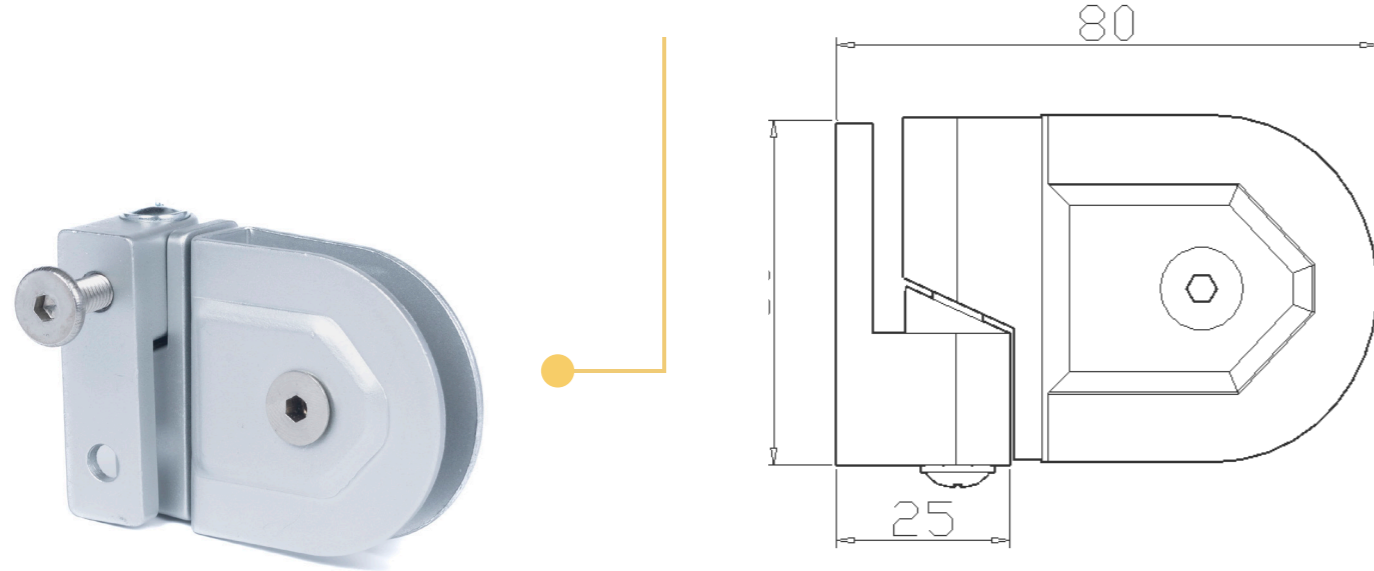
Product Code - SM03M012



- This product belongs to the category of closed (panel overlap) style door systems.
- There is graded ABS plastic for closing (panel rebated) door systems that allows the doors to close automatically.
- Metal pieces will be composed of anodized aluminum.
- They're compatible with both 12 mm and 18 mm HPL panels.
- A single screw will be used against the door in such a manner that the compact laminate material and panel connectors overlap by 25mm on both sides.
- The screws will be visible on the hinge and will be used to wrap the compact laminate material on both sides.
- With the door 10 mm away from the panels.
- The interior of the cubicle will be obscured by th 25mm that the door will press.
- Except for technical service employees, there will be a safety screw to prevent anybody form lifting and removing the door.



0,142 kg



## Details matter for comfort.

The center of gravity of the doors can be taken into account while adjusting the hinges. This enables the doors to close on their own.



## Lock

Product Code - SM04M012

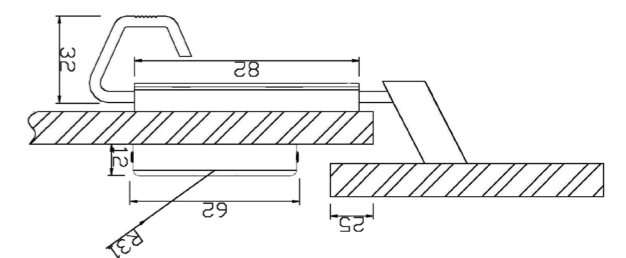


- They're compatible with both 12 mm and 18 mm HPL panels.
- It has a mechanism for sliding.
- Matte metal body and handle.
- Antibacterial plastic floor connection.
- Sliding is used for locking.
- If the cabinet is full is shown by the colored mechanism (red-green) on it.
- In the event of an emergency, outside intervention is possible.



### In the details lies confidence.

On the outside of the lid, there is an on/off indicator. For emergency interventions, it features a handle inside that can be opened with any pointed object from the outside.





# Hanger

Product Code - SM07M012

- It is made of anodized aluminum double hook.
- This ergonomic product is 35 mm in width and 55 mm in height.
- Aluminum was used in the manufacturing of this product.
- It is corrosion-free within the guarantee term.
- Water and humidity resistant.
- Plastic material is added at the product's end to serve as a stopper and prevent impacts.
- It is capable of transporting up to 10 kilograms.



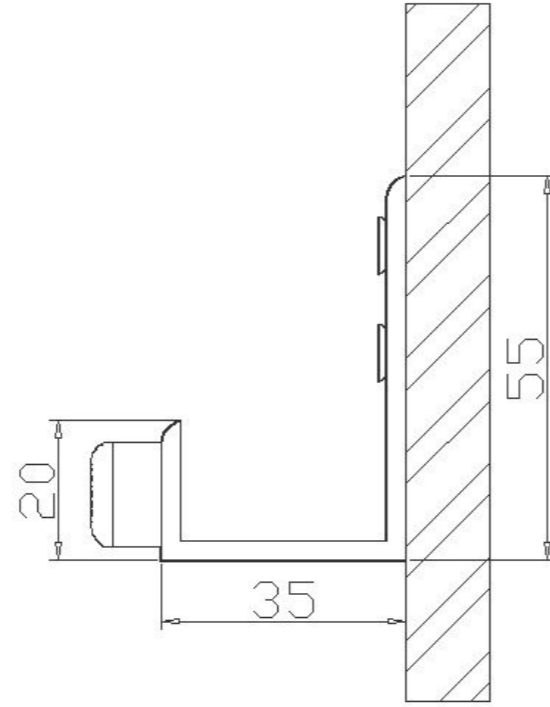
NOT AFFECTED BY  
WATER



CORROSION  
RESISTANT



MATTE ANODIZED  
ALUMINUM COATING



0,018 kg



Our difference hidden in the details.

The hangers will be held together by YHB 4.2 x 11 mm thick threaded 304 stainless screws.



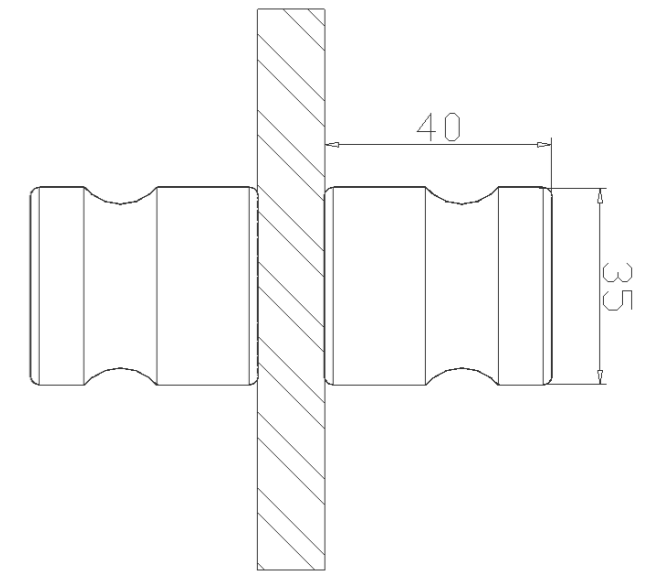
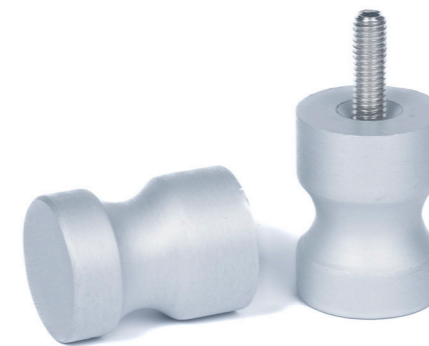
## Grip

Product Code - SM08M012



- It is 25 mm in diameter, and 32 mm in length.
- It has an M8x35 grub screw connection.
- It is not affected by water, humidity and corrosion.
- Its warranty is covered by SANDER's guarantee.

0,078 kg



Double-sided use is hidden in the details.

This product is used on both sides so that the doors can be opened and closed practically.



## U Connection Profile Matte

Product Code - PS0112M



NOT AFFECTED BY WATER



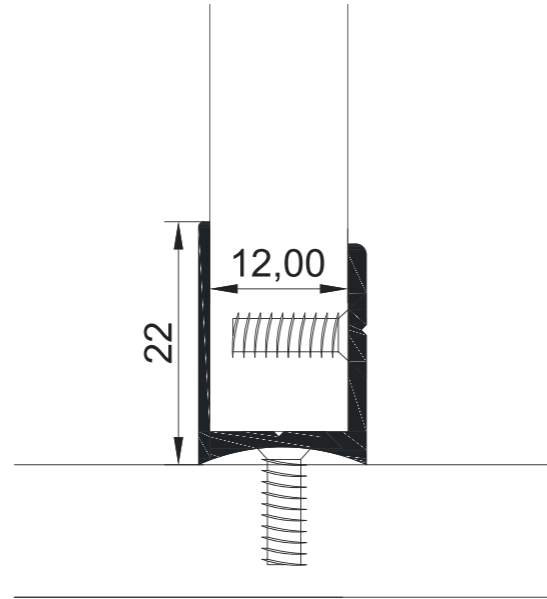
CORROSION RESISTANT



MATTE ANODIZED ALUMINUM COATING

- The edges of the panel are not visible when the cabin system spins to the application of this connection piece.
- The U profile's exterior dimensions will be 22 x 15 mm, with a wall thickness of 1.5 mm.
- It will be used to link U profile-Wall and U profile-Divider Panels.
- Its dimensions are 4.2 x 11 mm. Thick threaded, stainless steel screws are used to fasten it.

300 cm



Details determine longevity.

Made with matte metal to fasten panels to walls and other panels. profil niteliğindedir.



## Top Panel Connection Profile Matte

Product Code - PS0212M

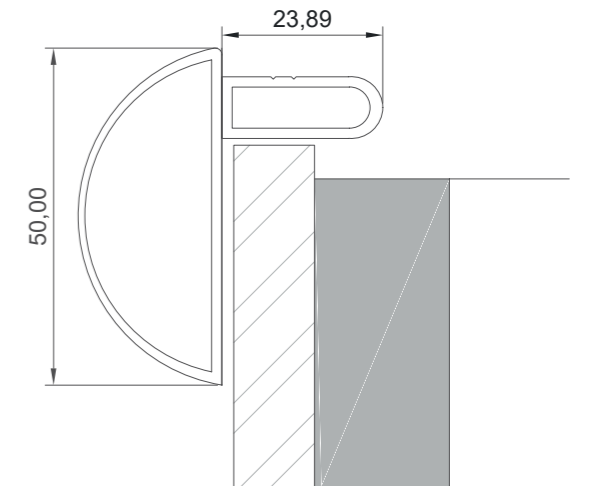
- Matte anodized metal top Profiles will be installed on the cabinet system's top, front, and side edges.
- A curved profile with dimensions of 50 mm x 45 mm and a wall thickness of 1.2 mm will be utilized as the header profile.

 300 cm



### Details determine sturdiness.

In wet and humid living areas, this unique solution helps to adapt to any curved surface.





## Corner Connection Profile

Product Code - PS0412M



NOT AFFECTED BY WATER



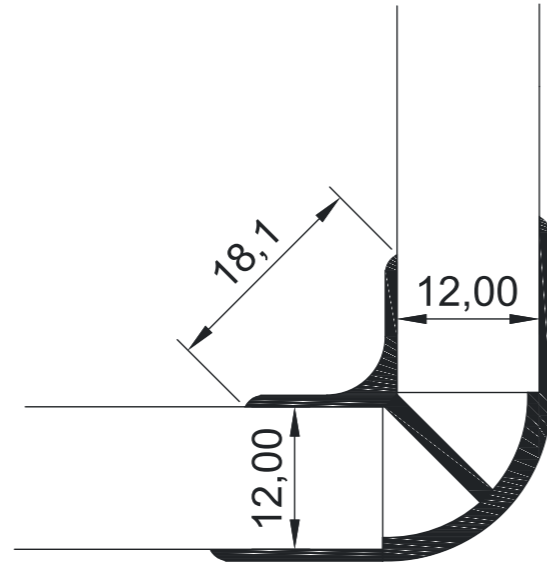
CORROSION RESISTANT



MATTE ANODIZED ALUMINUM COATING

- The edges of the panel are not visible when the cabin system spins thanks to the application of this connection piece.
- Size: 30 x 30 mm.
- Compact laminate panels will grab the corner profile on all sides.
- This product attached using 304 grade stainless steel screws with a coarse thread measuring 4,2 x 11 mm.

183 cm

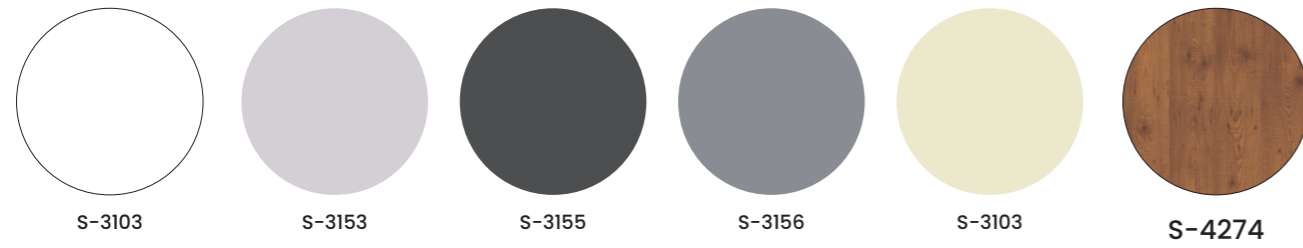


Resistance to time is in the details.

Rounded with R15 radius, matt anodized aluminum is used on the corners.



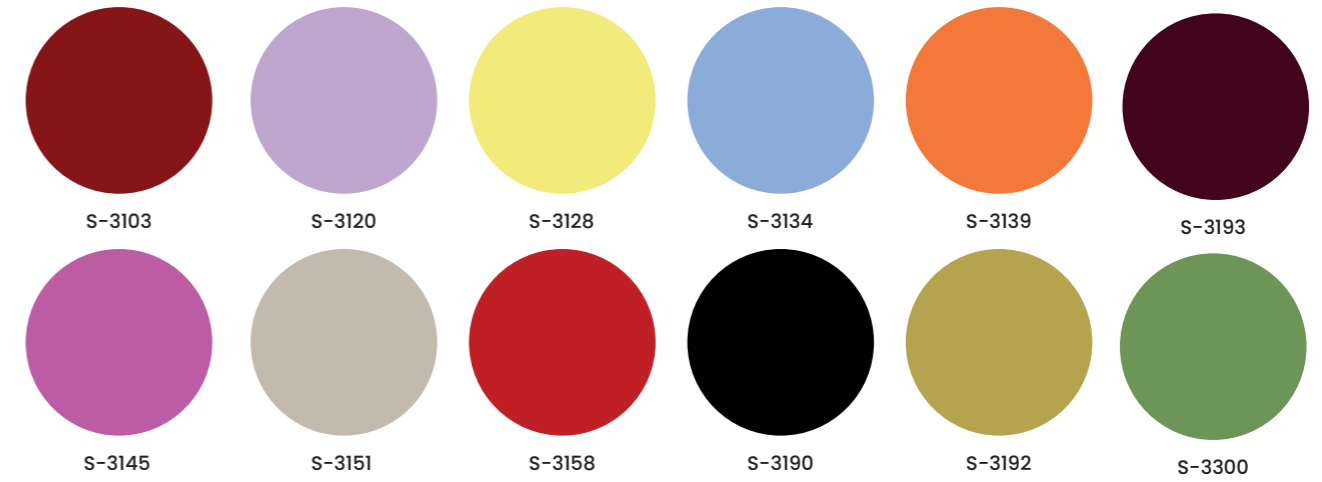
## Stock Colors



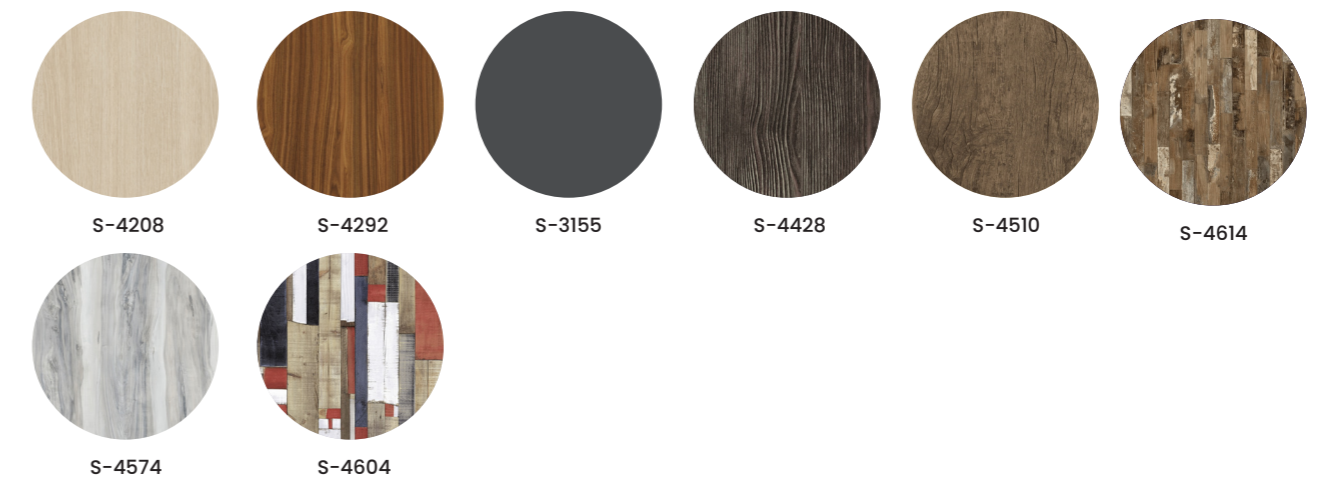
It is possible to prefer static paint with RAL color chart code for accessory products.



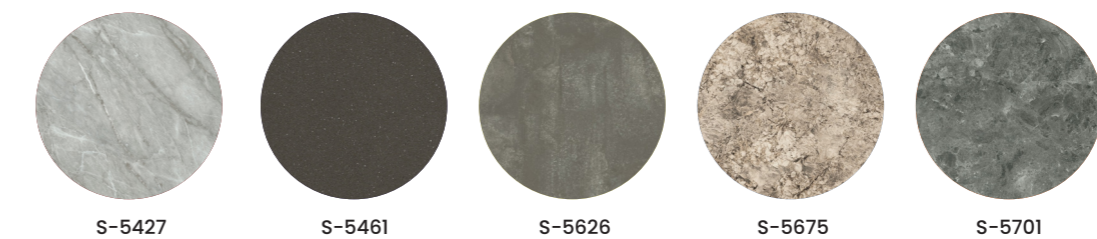
## Solid Colors (Out of Stock Production Process 4-8 weeks)



## Wood Colors (Out of Stock Production Process 4-8 weeks)



## Marble Pattern Colors (Out of Stock Production Process 4-8 weeks)



## Product Care

### Why is maintenance necessary?

It is critical to maintain stainless surfaces in order to maximize product life and corrosion resistance.

### What supplies are needed?

This is simply accomplished by dampening a clean cloth in warm water with a tiny bit of detergent or soap.

### How to care?

To begin, use a wet cloth to remove coarse grit and grime from the product to be cared for.

Next, thoroughly rinse your cloth. Wiping effectively requires gently rubbing the substance or ingredients.

### Attention!

Product maintenance should not be performed using carbon steel brushes or wool wire.



## Product Warranty

### Warranty

For two years, SANDER guarantees all of its products against corrosion and mechanical flaws.

(\*) Our organization accepts no liability in the following situations:

Failure to follow assembly instructions,

In the case of wear and tear caused by maintenance mistakes, in the case of loss or damage caused by user errors, in the case of incorrect disassembly, removal, or replacement, and in the transportations used to carry the product from one location to another.

### (\*\*) The right to change

SANDER retains the right to make modifications to standard product features and dimensions without previous notification in order to adhere to the idea of always enhancing service quality.

# SANDER

From Turkey to the World, with **environmental,**  
ecological, and national values...



# SANDER

Adding values to your living spaces



Contact Us

**0850 255 39 55**



## SALES OFFICE

Regus Ofis Park  
Merkez Mah. Baęlar Cad. No:14  
C2 Blok Zemin Kat, 34406  
**Kaęthane İstanbul, Türkiye**

✉ [teklif@sander.com.tr](mailto:teklif@sander.com.tr)

🌐 [www.sanderkabin.com.tr](http://www.sanderkabin.com.tr)



## FACTORY

Mehmet Akif Mah.  
Petrol Yolu Cad. No:212 A  
**Sultanbeyli, İstanbul Türkiye**

✉ [info@sander.com.tr](mailto:info@sander.com.tr)

🌐 [www.sander.com.tr](http://www.sander.com.tr)