



Adding values to your living spaces

2023
MODEL PROXLINE BINI
WC CUBICLE CATALOGUE
03

SANDER

S
I
N
C
E
2001

Our Brand **Vision**

From Turkey to the World, with **environmental**,
ecological, and national values...

EXPORT TO 26 DIFFERENT COUNTRIES



Since 2001, SANDER, the industry leader, has expanded its production and export volume.

It is a global brand that is continually expanding.

With cubicle manufacture, we specialize in providing comfort to living areas.

"High quality service at an affordable price" has been our motto from the day we opened our doors.

Our enterprise, which operates entirely with local capital and products, generates both employment and significant economic contributions to our country.

A model structure in terms of the significance it places on technology, R&D, design, and human resources.

SANDER, which is a "sustainable" discipline concept, gains an environmental business strategy.

Because of its environmental business strategy, SANDER is a "sustainable" discipline concept. acquires.

SANDER, which continuously decreases its carbon emissions through a regulated follow-up, plans to meet the "zero waste" aim by 2030.

The tagline "Adds value to your living spaces" inspires the design of practical, colorful, and dependable items.

SANDER provides comfort in over 20 nations.

IT IS ADVANTAGEOUS

This product group, created with innovative, creative, and colorful designs, provides cost-effective solutions that add value to your living spaces. With its varied color palette and accessories, it represents a new way of thinking.

This product group, which represents **SANDER**'s avant-garde side, is appropriate for those that respect rationality. As the geometry of the colors becomes clear, the brilliance of the colors increases. It provides benefits that boost confidence, motivate people to take advantage of chances, and help them succeed in life.

This product group draws attention with its various width and depth modules, as well as modern elements in the urban style, and offers a new dimension to the places you want. It adds new elements to your living areas.

MODEL PROXLINE BINI
Product Code: 10104A012

Value Adding **Features**

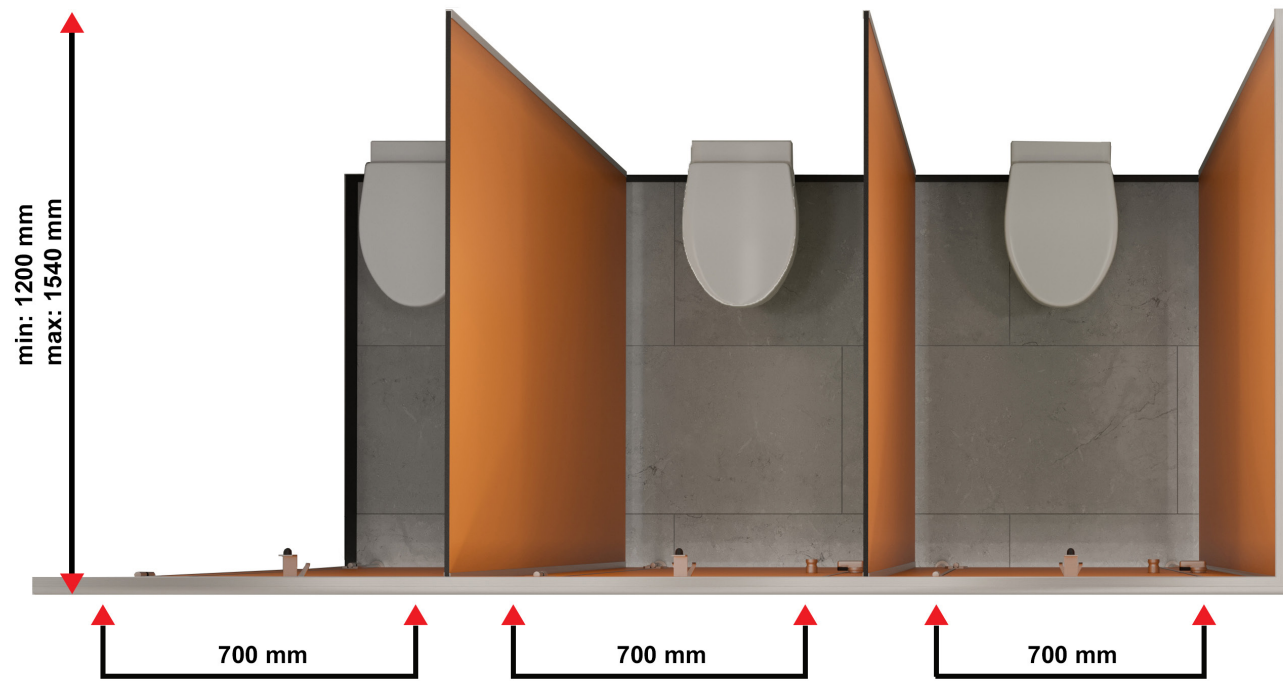
Quality details and advantages;

- Our panels are 12 mm thick and water and humidity resistant.
- Our panels are antibacterial and feature easy-to-clean surfaces.
- Our cabins' panels and fasteners are certified.
- This product line makes use of first-rate album raw materials.
- Aluminium is used for the connection, support, and auxiliary elements.
- Satin stainless steel is used to make connection, support, and complimentary pieces (SSS 304 quality).
- Product line of the SANDER Proxline Classic series.
- Produced with cutting-edge technology and engineering expertise.
- It has been designed with the notion of adding value to living spaces in mind.
- Designs that were unique, innovative, and colorful were employed.
- Water, humidity, heat, and cold have no effect on it.
- It has a strong abrasion resistance.
- It is entirely made in Turkiye.
- It creates direct jobs and contributes to the Turkish economy.
- Customer satisfaction is prioritized both before and after the transaction.
- For this product, you may select static paint from the RAL color chart.

Creativity is in the details.

With A Three-Dimensional Perspective
PRECISE DETERMINATION, AND DEFINITIVE SOLUTION

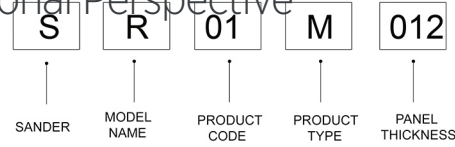
TOP VIEW



FRONT VIEW



With A Three-Dimensional Perspective



SR07M012 HANGER
 • It is made of anodized aluminum double hook.
 • This ergonomic product is 35 mm in width and 55 mm in height.
 • Aluminum was used in the manufacturing of this product.
 • It is corrosion-free within the guarantee term.
 • Water and humidity resistant.
 • Plastic material is added at the product's end to serve as a stopper and prevent impacts.

PS0112M U-Connection Profile
 • The edges of the panel are not visible when the cabin system spins to the application of this connection piece.
 • The U profile's exterior dimensions will be 22 x 15 mm, with a wall thickness of 1.5 mm.
 • It will be used to link U profile-Wall and U profile-Divider Panels.
 • Its dimensions are 4.2 x 11 mm. Thick threaded, stainless steel screws are used to fasten it.

PS0312M Door Bini Profile
 • It is an anodized, aluminum matte profile that serves as a boarding at the door by attaching to fixed panels.
 • This item measures 4.2 x 11 mm, coarse thread, fastened with 304 stainless screws, in the YHB style.

PS0412M Corner Connection Profile
 • The edges of the panel are not visible when the cabin system spins thanks to the application of this connection piece.
 • Size: 30 x 30 mm.
 • Compact laminate panels will grab the corner profile on all sides.
 • This product attached using 304 grade stainless steel screws with a coarse thread measuring 4.2 x 11 mm.

PS0212M Top Panel Connection Profile
 Matte anodized metal Top Profiles will be installed on the cabinet system's top, front, and side edges.
 • A curved profile with dimensions of 50 mm x 45 mm and a wall thickness of 1.2 mm will be utilized as the header profile.

SR03M012 HINGE
 • The flat (single face) style door systems category includes this product.
 • There is graded ABS plastic for closing (panel rebated) door systems that allows the doors to close automatically.
 • The panel connectors will be secured with four screws.
 • The hinge covers won't have any visible wings.

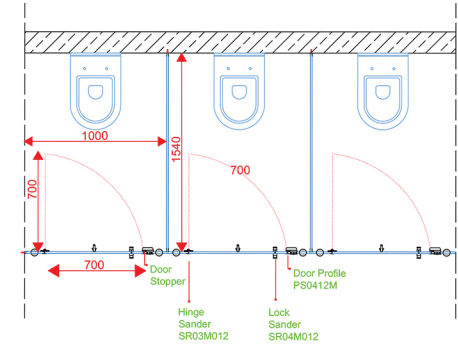
SR01M012 LEG
 • The size range is 150-200 mm, with a diameter of 27mm.
 • They're compatible with both 12 mm and 18 mm HPL panels.
 • They're linked to the anti-bacterial plastic floor.
 • Body is produced with matte anodized aluminum.
 • It has a carrying capacity of 70 kg.
 • It has 52 mm diameter leg cover.

SR08M012 GRIP
 • It is 25 mm in diameter, and 32 mm in length.
 • It has an M8x35 grub screw connection.
 • It is not affected by water, humidity and corrosion.
 • It is warranty is covered by SANDER's guarantee.

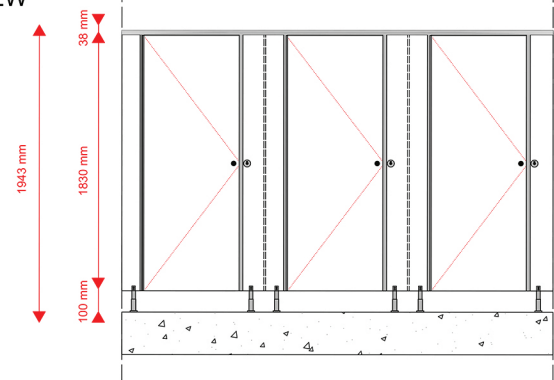
SR04M012 LOCK
 For doors that open outward, the lock is fastened to the door for doors that open inward, it is fastened to the fixed panel.
 • They're compatible with both 12 mm and 18 mm HPL panels.
 • It has a latch and dial mechanism.
 • It has a matte anodized aluminum profile latch, twisted body, and arm.



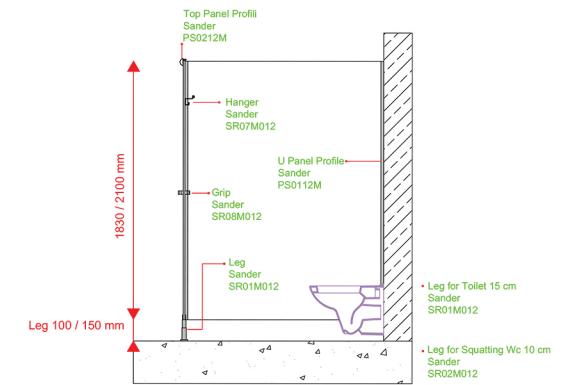
TOP VIEW



FRONT VIEW



SIDE VIEW



HINGE DETAIL



DOOR DETAIL



LOGO DETAIL
 CNC machine with logo on lock axle will be etched on the back side of each door panel.



LOCK DETAIL

PANELS
 The feature is 12 mm Compact laminate panels with double surface decorative, water, scratch, and break resistant, bacteria free, and fire retardant. CGS - CGF EN 438-4 class

LOCK
 The door shows if it is busy from the outside by turning the colored mechanism on the latch (TURNED). Anodized Aluminum Matte

HINGE
 Matte Anodized Aluminum for single face (BINI PROFILE SYSTEM) door systems, with self-closing, degrees adjustable, and security screw.

LEG
 Anti-bacterial plastic floor connection, matte anodized metal. The adjustable height is 100-150 mm, making it suited for moist regions in general. It aids in adapting to the current slope.

CONNECTIONS AND PROFILES
 At junctions, head profiles and "U" profiles MAT aluminum, panel-wall, and panel-panel are utilized. Fasteners used in cabinet assembly are all stainless steel.



Accessories



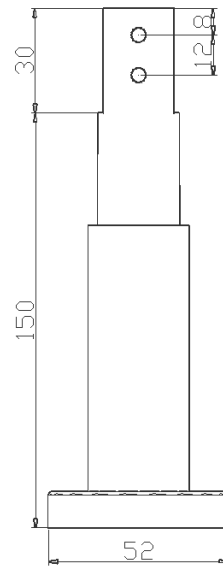
Leg

Product Code - SR01M012

- The size range is 150-200 mm, with a diameter of 27mm.
- They're compatible with both 12 mm and 18 mm HPL panels.
- They're linked to the anti-bacterial plastic floor.
- Body is produced with matte anodised aluminum.
- It has a carrying capacity of 70 kg.
- It has 52 mm diameter leg cover.
- The material will be protected by a 12.5 mm duct in a compact laminate panel
- The leg foundation will be secured to the ground using PA6 shoes that are attached with stainless screws at at least three distinct spots.



0,186 kg



Sturdiness is hidden in the details.

In wet and humid living areas, this unique product aids in adapting to any sloping surface.





Leg

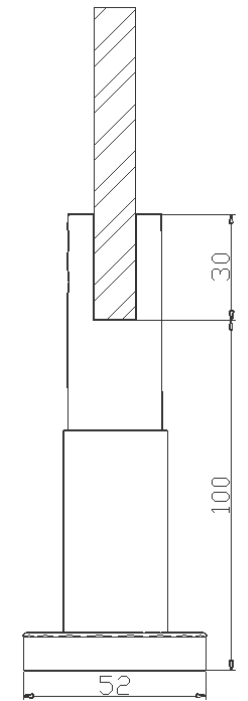
Product Code - SR02M012



- The size range is 100-150 mm, with a diameter of 27mm.
- They're compatible with both 12 mm and 18 mm HPL panels.
- They're linked to the anti-bacterial plastic floor.
- Body is produced with matte anodised aluminum.
- It has a carrying capacity of 70 kg.
- It has 52 mm diameter leg cover.
- The material will be protected by a 12.5 mm duct in a compact laminate panel.
- The leg foundation will be secured to the ground using PA6 shoes that are attached with stainless screws at at least three distinct spots.



 0,142 kg

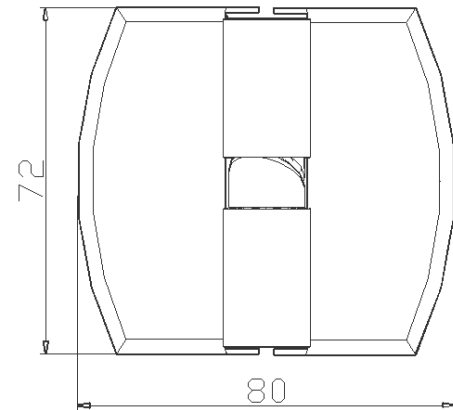
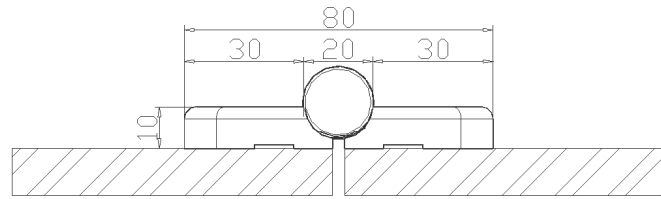




Hinge

Product Code – SR03M012

- The flat (single face) style door systems category includes this product.
- There is graded ABS plastic for closing (panel rebated) door systems that allows the doors to close automatically.
- metal pieces will be composed of anodized aluminum.
- They're compatible with both 12 mm and 18 mm HPL pannels.
- The panel connectors will be secured with four screws.
- The hinge covers won't have any visible wings.
- With the door 10 mm away from the panels.
- the interior of the cubicle will be obscured by th 25mm that the door will press.
- Except for technical service employees, there will be a safety screw to prevent anybody form lifting and removing the door.
- The hinges will be adjusted based on the center of gravity, and the door will automatically close.



0,164 kg



Details are where creativity lies.

The doors are equipped with an ABS system and a security screw that allows them to automatically close.





Lock

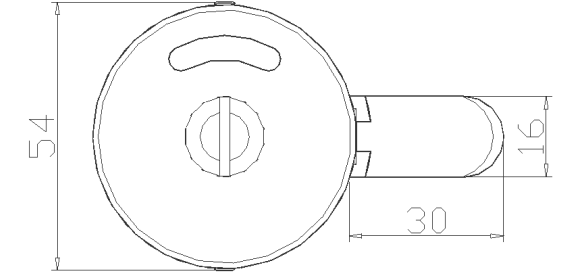
Product Code - SR04M012



In the details lies security.

The exterior cover has an on/off indication. For emergency interventions, there is a handle inside that may be opened with any pointed item from the outside.

- For doors that open outward, the lock is fastened to the door; for doors that open inward, it is fastened to the fixed panel.
- They're compatible with both 12 mm and 18 mm HPL panels.
- It has a latch and dial mechanism.
- It has a matte anodized aluminum profile latch, twisted body, and arm..
- For emergency interventions, there is a handle inside that may be opened with any pointed item from the outside.
- It has a latch and dial, and with the colored mechanism (red green) on it, it displays from the outside whether the door is busy or not.
- it is interfered from the outside in case of an emergency.



 0,164kg


Certificate Certificate
CE ISO 9001:2015





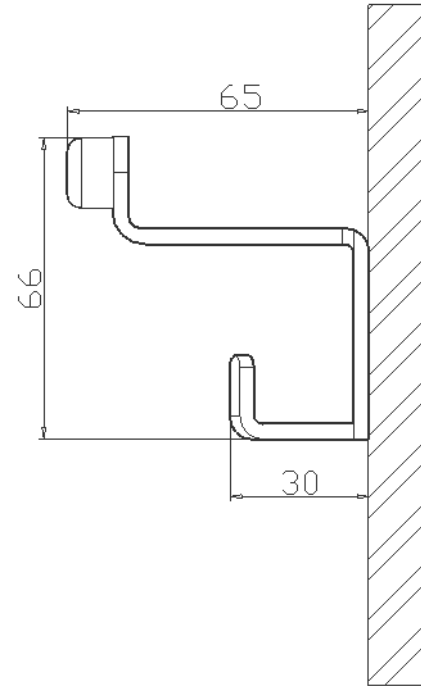
Hanger

Product Code - SR07M012

- It is made of anodized aluminum double hook.
- This ergonomic product is 35 mm in width and 55 mm in height.
- Aluminum was used in the manufacturing of this product.
- It is corrosion-free within the guarantee term.
- Water and humidity resistant.
- Plastic material is added at the product's end to serve as a stopper and prevent impacts.
- It is capable of transporting up to 10 kilograms.



0,24 kg



Our difference hidden in the details.

The hangers will be held together by YHB 4.2 x 11 mm thick threaded 304 stainless screws.

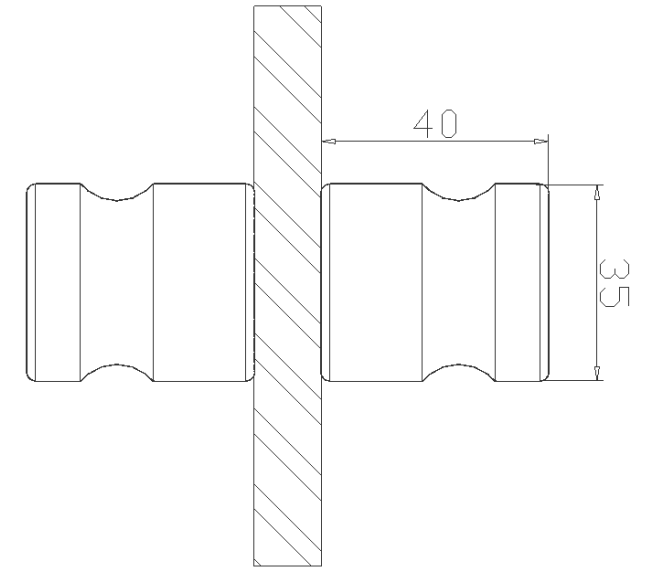
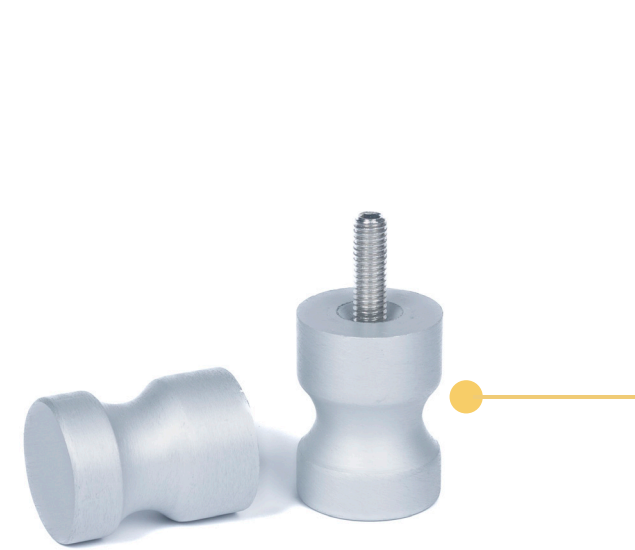


Grip

Product Code - SR08M012



- It is 25 mm in diameter, and 32 mm in length
- It has an M8x35 grub screw connection
- It is not affected by water, humidity and corrosion.
- Its warranty is covered by SANDER's guarantee.



Details are important for sound isolation.

When the doors are closed, special filaments (epdm type) will be positioned to stop the panels from slamming into one another, isolating unwelcome noises.





U Connection Profile Matte

Product Code - PS0112M



NOT AFFECTED BY WATER



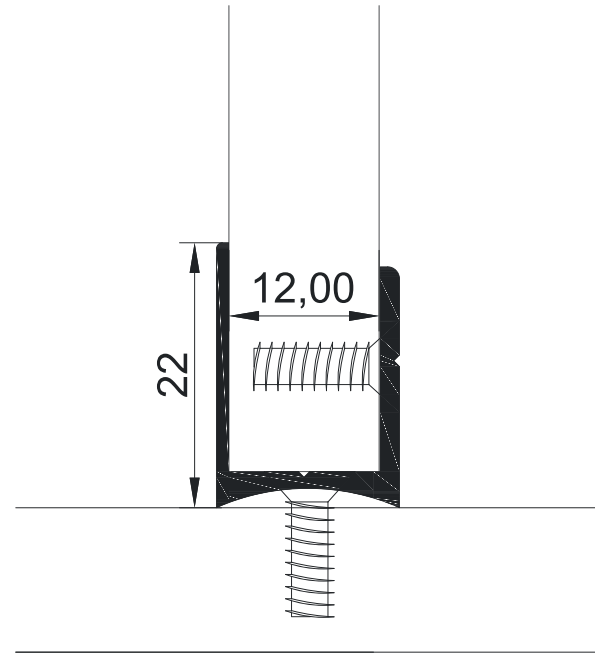
CORROSION RESISTANT



MATTE ANODIZED ALUMINUM COATING

- The edges of the panel are not visible when the cabin system spins to the application of this connection piece.
- The U profile's exterior dimensions will be 22 x 15 mm, with a wall thickness of 1.5 mm.
- It will be used to link U profile-Wall and U profile-Divider Panels.
- Its dimensions are 4.2 x 11 mm. Thick threaded, stainless steel screws are used to fasten it.

300 cm



Details determine longevity.

Made with matte metal to fasten panels to walls and other panels. profil niteliğindedir.

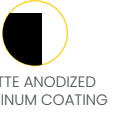


Top Panel Connection Profile Matte

Product Code - PS0212M

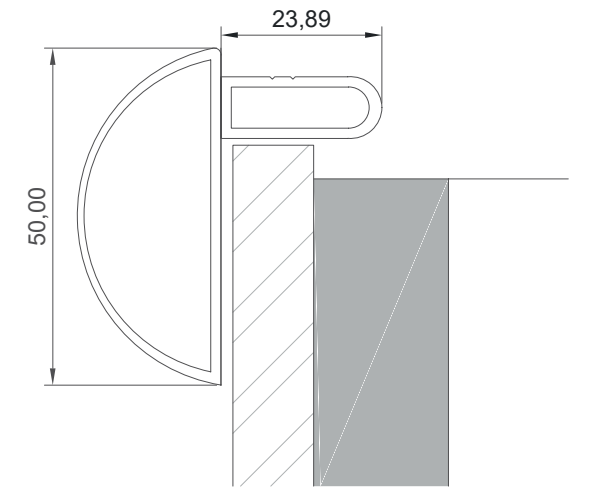
- Matte anodized metal top Profiles will be installed on the cabinet system's top, front, and side edges.
- A curved profile with dimensions of 50 mm x 45 mm and a wall thickness of 1.2 mm will be utilized as the header profile.

300 cm



Details determine sturdiness.

In wet and humid living areas, this unique solution helps to adapt to any curved surface.





Corner Connection Profile

Product Code - PS0412M



NOT AFFECTED BY
WATER



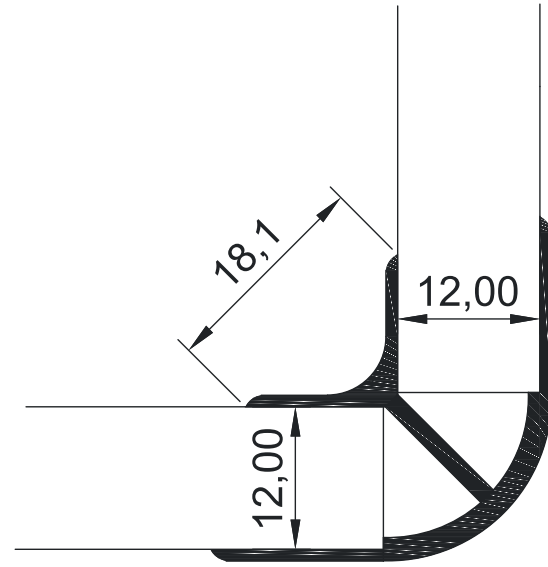
CORROSION
RESISTANT



MATTE ANODIZED
ALUMINUM COATING

- The edges of the panel are not visible when the cabin system spins thanks to the application of this connection piece.
- Size: 30 × 30 mm.
- Compact laminate panels will grab the corner profile on all sides.
- This product attached using 304 grade stainless steel screws with a coarse thread measuring 4,2 x 11 mm.

183 cm



The details provide resistance against time.

The corners are made of matte anodized aluminum and are rounded with an R15 radius.



Details are important for sound isolation.

When the doors are closed, special filaments (epdm type) will be positioned to stop the panels from slamming into one another, isolating unwelcome noises.

Door Bini Profile

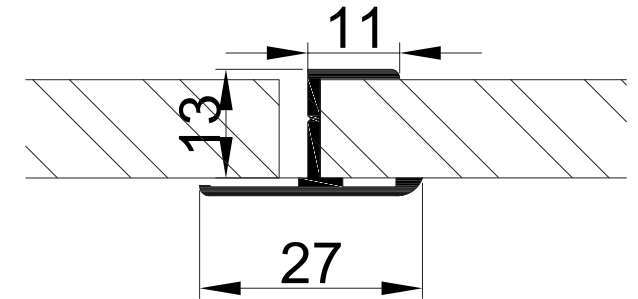
Product Code - PS0312M



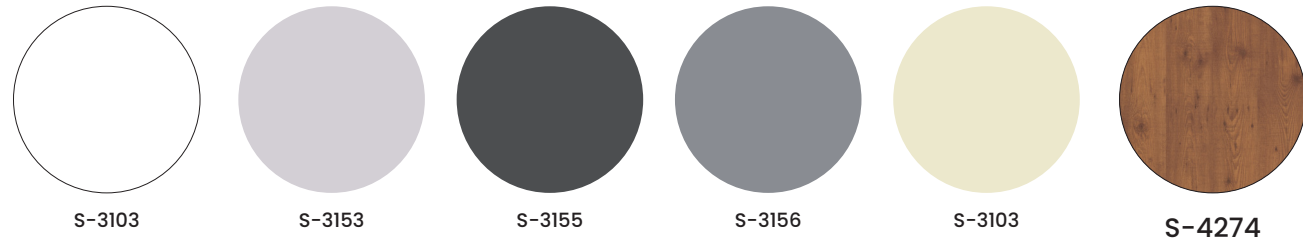
- It is an anodized, aluminum matte profile that serves as a boarding at the door by attaching to fixed panels.
- This item measures 4.2 x 11 mm. coarse thread, fastened with 304 stainless screws, in the YHB style.



EPDM Type Filaments



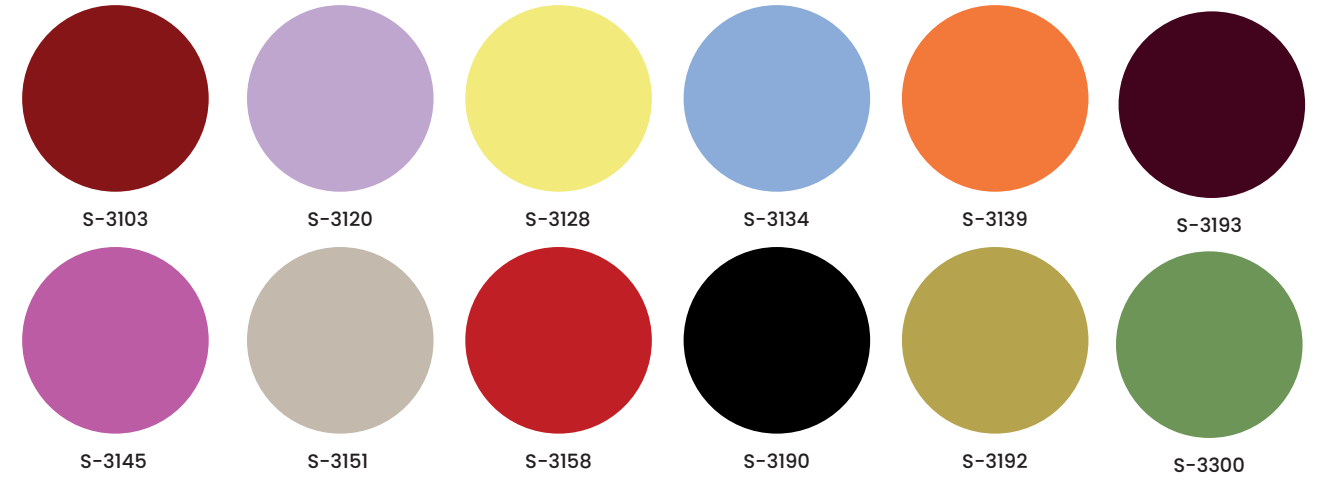
Stock Colors



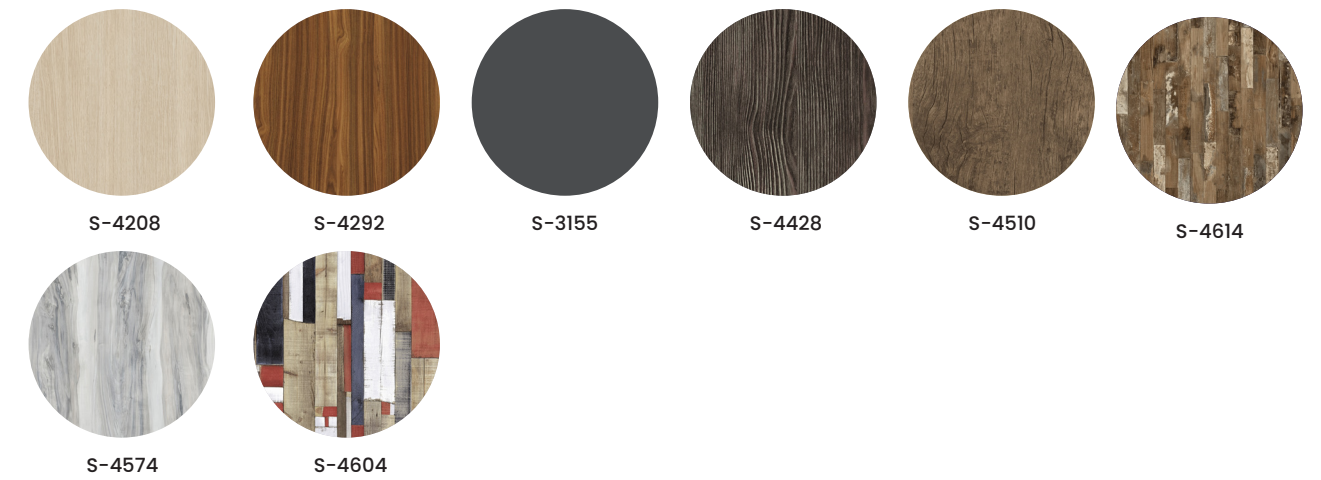
It is possible to prefer static paint with RAL color chart code for accessory products.



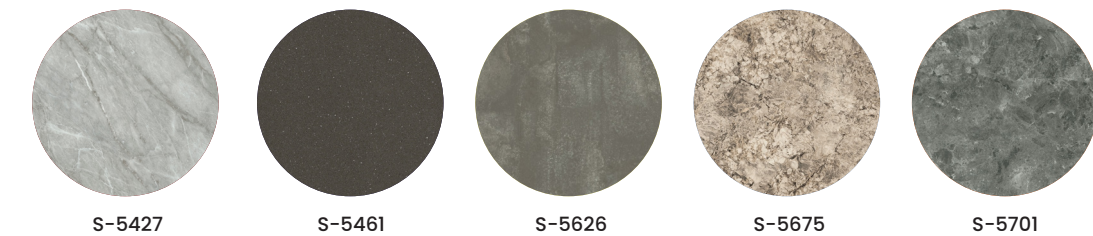
Solid Colors (Out of Stock Production Process 4-8 weeks)



Wood Colors (Out of Stock Production Process 4-8 weeks)



Marble Pattern Colors (Out of Stock Production Process 4-8 weeks)



Product Care

Why is maintenance necessary?

It is critical to maintain stainless surfaces in order to maximize product life and corrosion resistance.

What supplies are needed?

This is simply accomplished by dampening a clean cloth in warm water with a tiny bit of detergent or soap.

How to care?

To begin, use a wet cloth to remove coarse grit and grime from the product to be cared for.

Next, thoroughly rinse your cloth. Wiping effectively requires gently rubbing the substance or ingredients.

Attention!

Product maintenance should not be performed using carbon steel brushes or wool wire.



Product Warranty

Warranty

For two years, SANDER guarantees all of its products against corrosion and mechanical flaws.

(*) Our organization accepts no liability in the following situations:

Failure to follow assembly instructions,

In the case of wear and tear caused by maintenance mistakes, in the case of loss or damage caused by user errors, in the case of incorrect disassembly, removal, or replacement, and in the transportations used to carry the product from one location to another.

(**) The right to change

SANDER retains the right to make modifications to standard product features and dimensions without previous notification in order to adhere to the idea of always enhancing service quality.



SANDER

From Turkey to the World, with **environmental,**
eceleological, and national values...



SANDER

Adding values to your living spaces



Contact Us

0850 255 39 55



SALES OFFICE

Regus Ofis Park
Merkez Mah. Baęlar Cad. No:14
C2 Blok Zemin Kat, 34406
Kaęthane İstanbul, Türkiye

✉ teklif@sander.com.tr

🌐 www.sanderkabin.com.tr



FACTORY

Mehmet Akif Mah.
Petrol Yolu Cad. No:212 A
Sultanbeyli, İstanbul Türkiye

✉ info@sander.com.tr

🌐 www.sander.com.tr