



Adding values to your living spaces

**2023**  
**MODEL ORION LINE**  
WC CUBICLE CATALOGUE  
**05**

SANDER

S  
I  
N  
C  
E  
2001

## Our Brand **Vision**

**From Turkey to the World**, with **environmental**,  
ecological, and national values...

## EXPORT TO 26 DIFFERENT COUNTRIES



Since 2001, SANDER, the industry leader, has expanded its production and export volume.

It is a global brand that is continually expanding.

With cubicle manufacture, we specialize in providing comfort to living areas.

"High quality service at an affordable price" has been our motto from the day we opened our doors.

Our enterprise, which operates entirely with local capital and products, generates both employment and significant economic contributions to our country.

A model structure in terms of the significance it places on technology, R&D, design, and human resources.

SANDER, which is a "sustainable" discipline concept, gains an environmental business strategy.

Because of its environmental business strategy, SANDER is a "sustainable" discipline concept. acquires.

SANDER, which continuously decreases its carbon emissions through a regulated follow-up, plans to meet the "zero waste" aim by 2030.

The tagline "Adds value to your living spaces" inspires the design of practical, colorful, and dependable items.

SANDER provides comfort in over 20 nations.

## VIBRANT

This product category quickly adapts to the intensive use of young people and people who feel youthful. It provides a wide range of cost-effective, long-term, and dynamic solutions spanning from fitness centers to sports clubs.

The **Orion Line** collection has a variety of vibrant hues that are a beacon of creativity. The use of popular hues from the late days gives you a lot of enthusiasm. It produces relief and lively feelings in psychology when used.

MODEL ORION LINE  
Product Code: 10102A012

## Value Adding **Features**

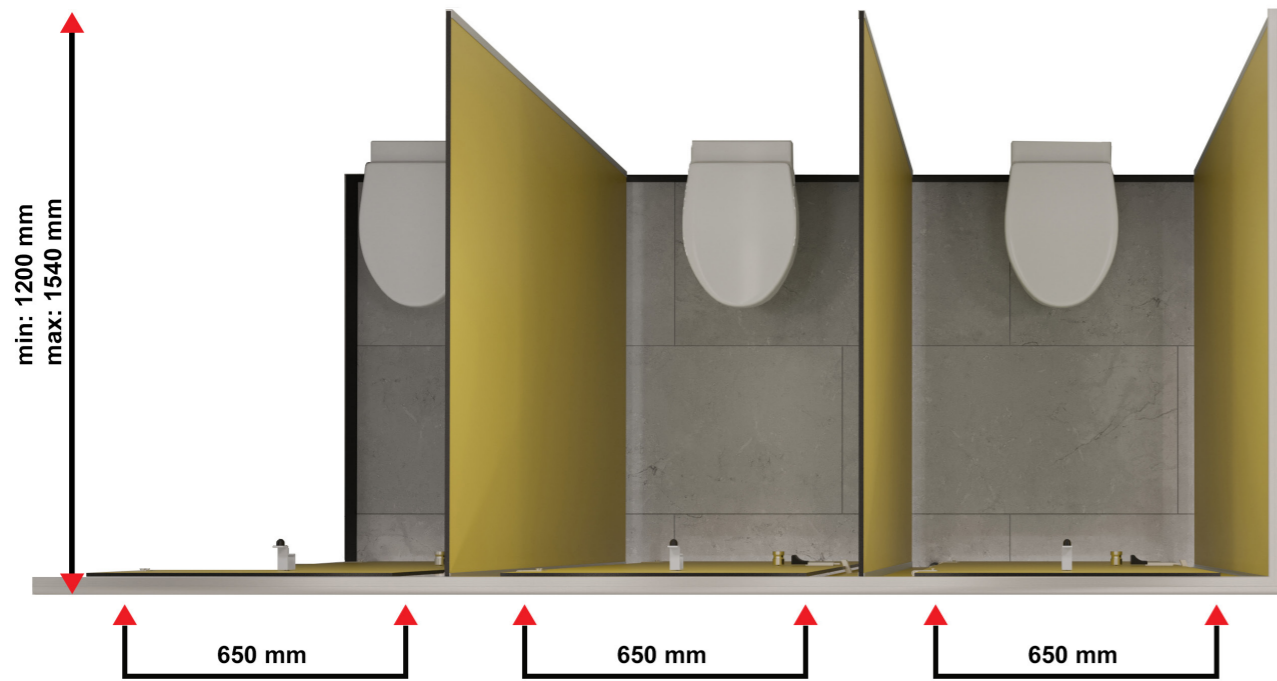
### Quality details and advantages;

- Our panels are 12 mm thick and water and humidity resistant.
- Our panels are antibacterial and feature easy-to-clean surfaces.
- Our cabins' panels and fasteners are certified.
- This product line makes use of first-rate album raw materials.
- Satin stainless steel is used to make connection, support, and complimentary pieces (SSS 304 quality).
- Product line of the SANDER Orion Line series.
- Produced with cutting-edge technology and engineering expertise.
- It has been designed with the notion of adding value to living spaces in mind.
- Designs that were unique, innovative, and colorful were employed.
- Water, humidity, heat, and cold have no effect on it.
- It has a strong abrasion resistance.
- It is entirely made in Turkiye.
- It creates direct jobs and contributes to the Turkish economy.
- Customer satisfaction is prioritized both before and after the transaction.
- For this product, you may select static paint from the RAL color chart.

*Detail-oriented satisfaction is key.*

With A Three-Dimensional Perspective  
**PRECISE DETERMINATION, AND DEFINITIVE SOLUTION**

TOP VIEW



FRONT VIEW





**S** **O** **01** **P** **012**  
 SANDER MODEL NAME PRODUCT CODE PRODUCT TYPE PANEL THICKNESS



**SO07P012**  
**HANGER**  
 • The aluminum glossy anodized single hook is 55 mm tall and 35 mm wide.  
 • Aluminum was used in the manufacturing of this product.  
 • It is corrosion-free within the guarantee term.  
 • Water and humidity resistant.  
 • It contains a plastic stopper at the tip that functions as a stopper and softens impacts.  
 • It is capable of transporting up to 10 kilograms.

**PS0212P**  
**TOP PANEL PROFILE**  
 • Matte anodized metal top Profiles will be installed on the cabinet system's top, front, and side edges.  
 • A curved profile with dimensions of 50 mm x 45 mm and a wall thickness of 1.2 mm will be utilized as the header profile.

**PS0112P**  
**U - Connection Profile**  
 • The edges of the panel are not visible when the cabin system spins thanks to the application of this connection piece.  
 • The U profile's exterior dimensions will be 22 x 15 mm, with a wall thickness of 1.5 mm.  
 • It will be used to link U profile-Wall and U profile-Divider Panels.  
 • Its dimensions are 4.2 x 11 mm. Thick threaded, stainless steel screws are used to fasten it.

**SO03P012**  
**HINGE**  
 This product belongs to the category of closed (panel overlap) style door systems.  
 • There is graded ABS plastic for closing (panel rebated) door systems that allows the doors to close automatically.  
 • Metal pieces will be composed of glossy anodized aluminum.  
 • They're compatible with both 12 mm and 18 mm HPL panels.

**SO04P012**  
**LOCK**  
 • For both inward and outward opening doors, the lock is positioned on the door.  
 • They're compatible with both 12 mm and 18 mm HPL panels.  
 • It has a mechanism for sliding.  
 • Sliding is used for locking.  
 • It locks using the bolt mechanism and offers safety by preventing the lock arm from closing on its own.

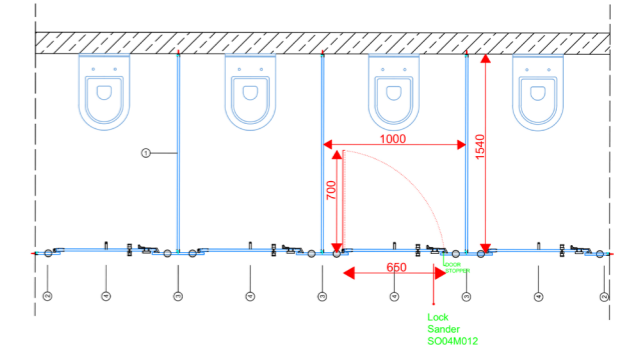
**SO01P012**  
**LEG**  
 • The size range is 150-200 mm.  
 • They're compatible with both 12 mm and 18 mm HPL panels.  
 • This accessory's adjustable height ranges from 150mm to 200mm.  
 • In wet and humid living areas, this unique product aids in adapting to any sloping surface.  
 • The body is made of glossy anodized aluminum.  
 • It has a carrying capacity of 70 kg.

**PS0412P**  
**Corner Connection Profile**  
 • The edges of the panel are not visible when the cabin system spins thanks to the application of this connection piece.  
 • Compact laminate panels will grab the corner profile on all sides.  
 • Size: 30 x 30 mm.  
 • This product attached using 304 grade stainless steel screws with a coarse thread measuring 4.2 x 11 mm.

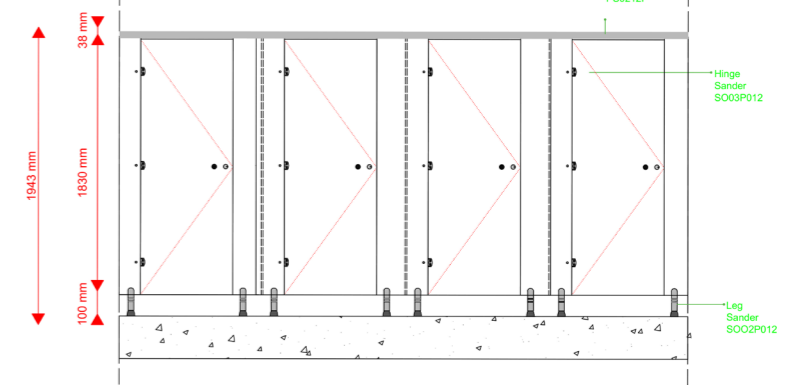
**SO08P012**  
**HANGER**  
 • The aluminum glossy anodized single hook is 55 mm tall and 35 mm wide.  
 • Aluminum was used in the manufacturing of this product.  
 • It is corrosion-free within the guarantee term.  
 • Water and humidity resistant.  
 • It contains a plastic stopper at the tip that functions as a stopper and softens impacts.  
 • It is capable of transporting up to 10 kilograms.



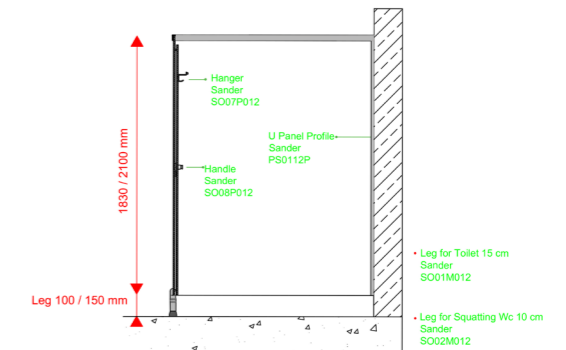
TOP VIEW



FRONT VIEW



SIDE VIEW



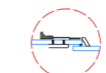
HINGE DETAIL



DOOR DETAIL



LOGO DETAIL  
 CNC machine with logo on lock side will be etched on the back side of each door panel.



LOCK DETAIL

**PANELS**  
 The feature is 12 mm Compact laminate panels with double surface decorative, water, scratch, and break resistant, bacteria free, and fire retardant. CGS - CGF EN 438-4 class  
**LOCK**  
 The door opens with the colored mechanism on the mechanism (SLIDE). It indicates whether or not it is busy from the outside. It's made of glossy anodized aluminum.  
**HINGE**  
 The doors themselves have graded abs plastic that facilitates closure, glossy anodized metal, and a security screw for closing (panel overlap) door systems.  
**LEG**  
 Anti-bacterial plastic floor connection, glossy anodized metal.  
 The adjustable height is 100-150 mm, making it suited for moist regions in general. It aids in adapting to the current slope.  
**CONNECTIONS AND PROFILES**  
 At junctions, head profiles and "U" profiles glossy aluminum, panel-wall, and panel-panel are utilized. Fasteners used in cabinet assembly are all stainless steel.



**Accessories**



## Leg

Product Code - S001P012



NOT AFFECTED BY WATER



CORROSION RESISTANT

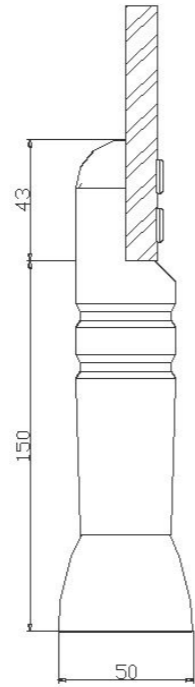


GLOSSY ANODIZED ALUMINUM COATING

- The size range is 150-200 mm.
- They're compatible with both 12 mm and 18 mm HPL pannels.
- This accessory's adjustable height ranges from 150mm to 200mm.
- In wet and humid living areas, this unique product aids in adapting to any sloping surface.
- Antibakteriyel plastik zemin bağlantılıdır.
- The body is made of glossy anodized aluminum.
- It has a carrying capacity of 70 kg.
- This unique item has an oval upper portion with a diameter of 38 mm.
- The product has a PA6 plastic screwed with a 52 mm diameter.
- Two head screws hold the plate in place.
- Special support shoes connected to a single point with 5x40 YHB screws secure the leg's sole to the ground.
- The antibacterial plastic is linked to the floor.



0,422 kg



In the details lies aesthetics.

Installation of the device allows for +20 mm of freedom of movement to modify the floor's squareness.

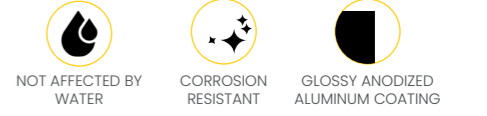






## Leg

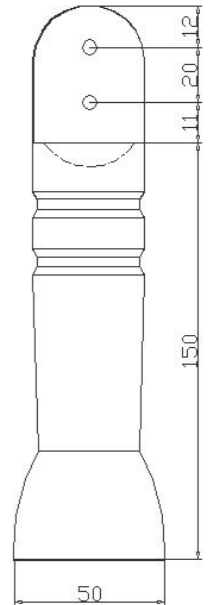
Product Code - S002P012



- The size range is 100-150 mm.
- They're compatible with both 12 mm and 18 mm HPL pannels.
- This accessory's adjustable height ranges from 100mm to 150mm.
- In wet and humid living areas, this unique product aids in adapting to any sloping surface.
- Antibakteriyel plastik zemin bağlantılıdır.
- The body is made of glossy anodized aluminum.
- It has a carrying capacity of 70 kg.
- This unique item has an oval upper portion with a diameter of 38 mm.
- The product has a PA6 plastic screwed with a 52 mm diameter.
- Two head screws hold the plate in place.
- Special support shoes connected to a single point with 5x40 YHB screws secure the leg's sole to the ground.
- The antibacterial plastic is linked to the floor.



0,256 kg





# Hinge

Product Code - S003P012



NOT AFFECTED BY  
WATER



CORROSION  
RESISTANT

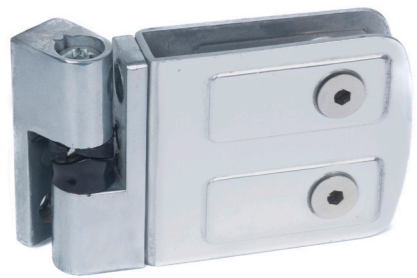
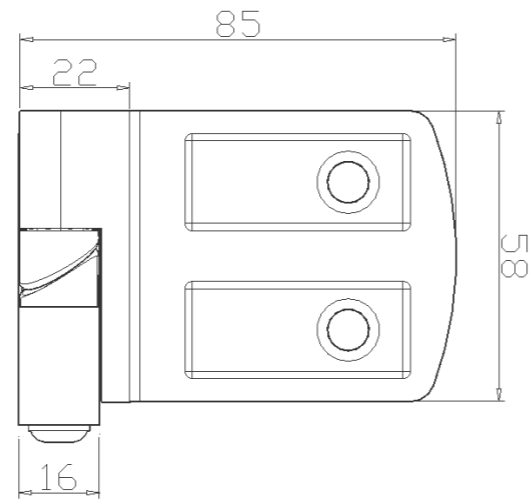


GLOSSY ANODIZED  
ALUMINUM COATING

- This product belongs to the category of closed (panel overlap) style door systems.
- There is graded ABS plastic for closing (panel rebated) door systems that allows the doors to close automatically.
- Metal pieces will be composed of glossy anodized aluminum.
- They're compatible with both 12 mm and 18 mm HPL panels.
- A single screw will be used against the door in such a manner that the compact laminate material and panel connectors overlap by 25mm on both sides.
- The screws will be visible on the hinge and will be used to wrap the compact laminate material on both sides
- With the door 10 mm away from the panels.
- the interior of the cubicle will be obscured by th 25mm that the door will press.
- Except for technical service employees, there will be a safety screw to prevent anybody form lifting and removing the door.



0,164 kg



Detail-oriented comfort is key.

The doors are equipped with an ABS system and a security screw that allows them to automatically close.



## Lock

Product Code - S005P012



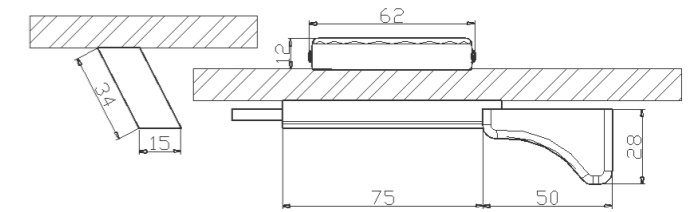
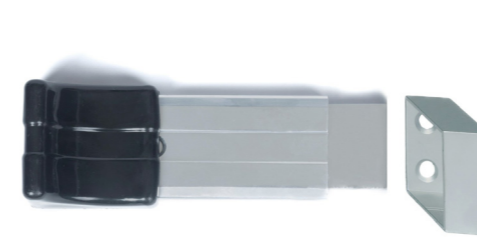
### In the details lies safety.

On the outside of the lid, there is an on/off indicator. For emergency interventions, it features a handle inside that can be opened with any pointed object from the outside.

- For both inward and outward opening doors, the lock is positioned on the door.
- They're compatible with both 12 mm and 18 mm HPL pannels.
- It has a mechanism for sliding.
- Sliding is used for locking.
- It locks using the bolt mechanism and offers safety by preventing the lock arm from closing on its own.
- A perfect closing is made possible by switching out the counter equipment in lamp (one-sided) systems.
- The sliding system is made of glossy anodized aluminum profile, and the handle is made of PA6 plastic.
- If the cabinet is full is shown by the colored mechanism (red-green) on it.
- Outside intervention is possible in an emergency.



 0,174kg





# Hanger

Product Code - S008P012

- The aluminum glossy anodized single hook is 55 mm tall and 35 mm wide.
- Aluminum was used in the manufacturing of this product.
- It is corrosion-free within the guarantee term.
- Water and humidity resistant.
- It contains a plastic stopper at the tip that functions as a stopper and softens impacts.
- It is capable of transporting up to 10 kilograms.



NOT AFFECTED BY WATER



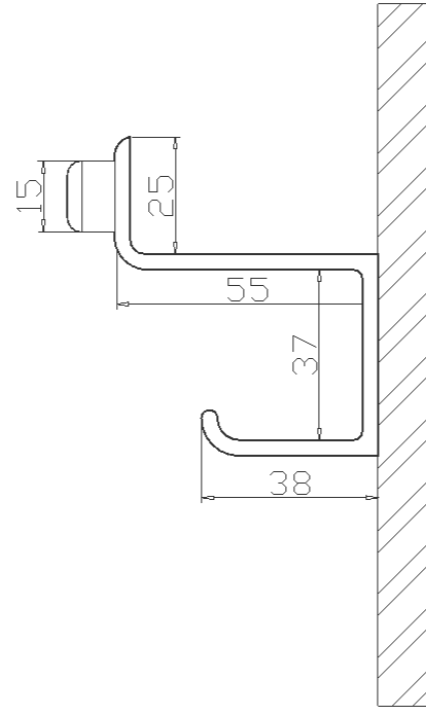
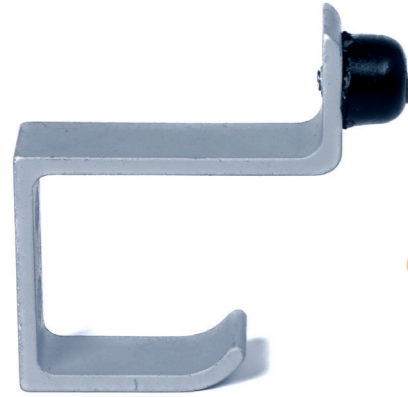
CORROSION RESISTANT



GLOSSY ANODIZED ALUMINUM COATING



0,025 kg



Our difference hidden in the details.

The hangers will be held together by YHB 4.2 x 11 mm thick threaded 304 stainless screws.

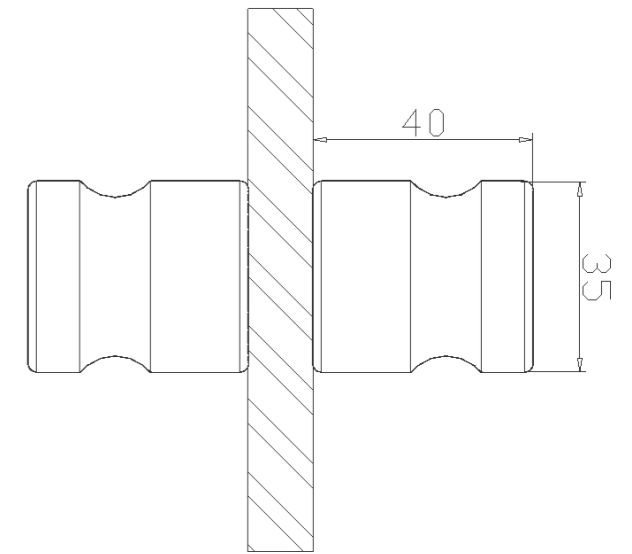
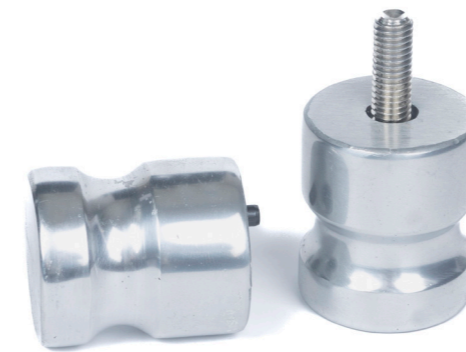


## Grip

Product Code - S009P012



- It is produced of glossy anodized aluminum.
- It is 35 mm in diameter, and 40 mm in length.
- It has an M6x35 grub screw connection.
- It is not affected by water, humidity and corrosion.
- Its warranty is covered by SANDER's guarantee.



Details are important for sound isolation.

When the doors are closed, special filaments (epdm type) will be positioned to stop the panels from slamming into one another, isolating unwelcome noises.





## U Pannel Connection – Glossy

Product Code – PS0112P

- The edges of the panel are not visible when the cabin system spins thanks to the application of this connection piece.
- The U profile's exterior dimensions will be 22 x 15 mm, with a wall thickness of 1.5 mm.
- It will be used to link U profile–Wall and U profile–Divider Panels.
- Its dimensions are 4.2 x 11 mm. Thick threaded, stainless steel screws are used to fasten it.

 183 cm



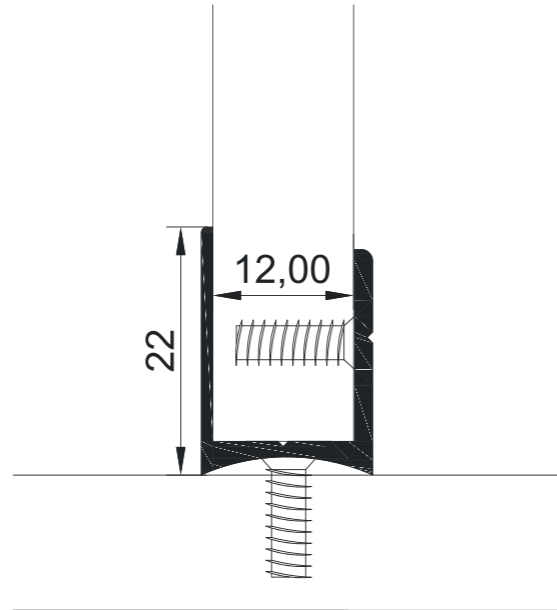
NOT AFFECTED BY  
WATER



CORROSION  
RESISTANT



GLOSSY ANODIZED  
ALUMINUM COATING



Details determine longevity.

Made with glossy metal profile to fasten panels to walls and other panels.



## Top Pannel Connection - Glossy

Product Code - PS0212P

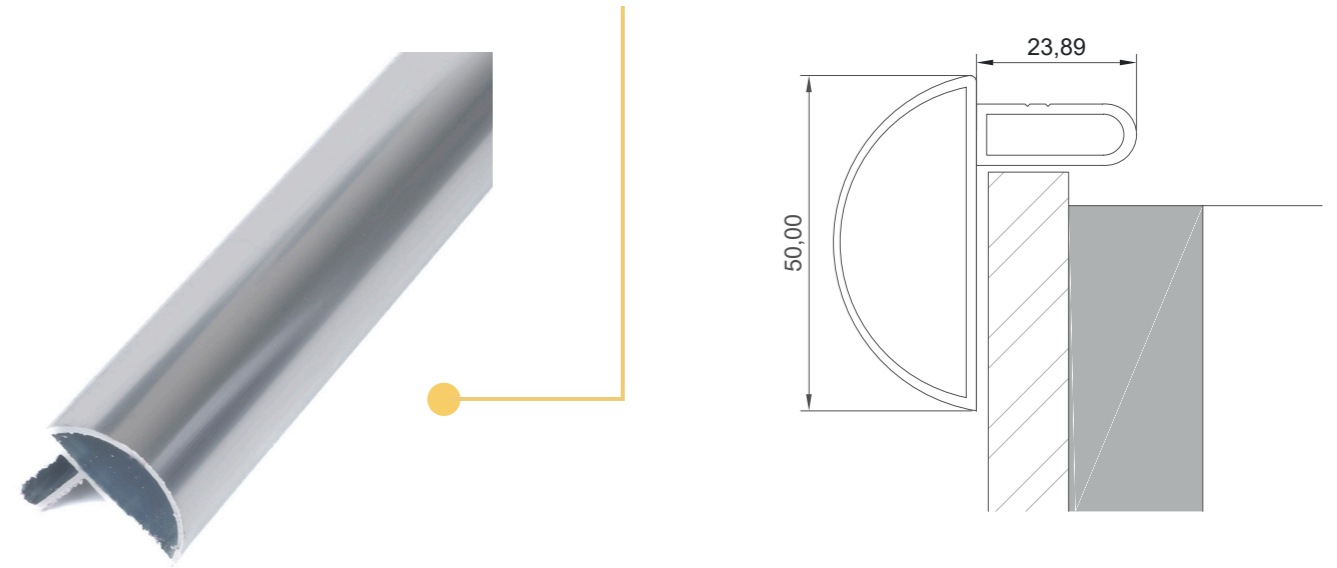
- Matte anodized metal top Profiles will be installed on the cabinet system's top, front, and side edges.
- A curved profile with dimensions of 50 mm x 45 mm and a wall thickness of 1.2 mm will be utilized as the header profile.

 300 cm



The details are where accessory aesthetics is hidden.

3.9x25 screws are used to attach the head profile to the panels from the top.



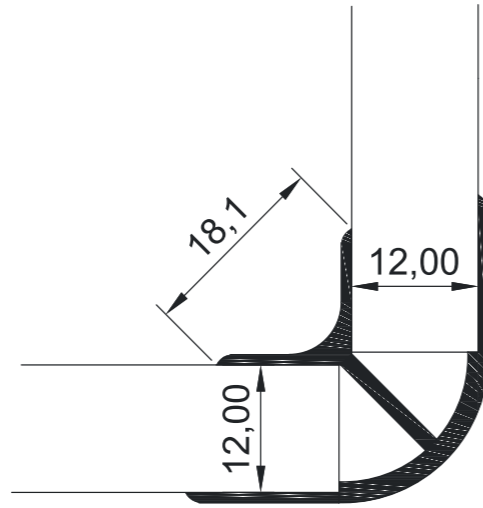


## Corner Connection Profile - Glossy

Product Code - PS0412P

- The edges of the panel are not visible when the cabin system spins thanks to the application of this connection piece.
- Size: 30 × 30 mm.
- Compact laminate panels will grab the corner profile on all sides.
- This product attached using 304 grade stainless steel screws with a coarse thread measuring 4,2 x 11 mm.

183 cm

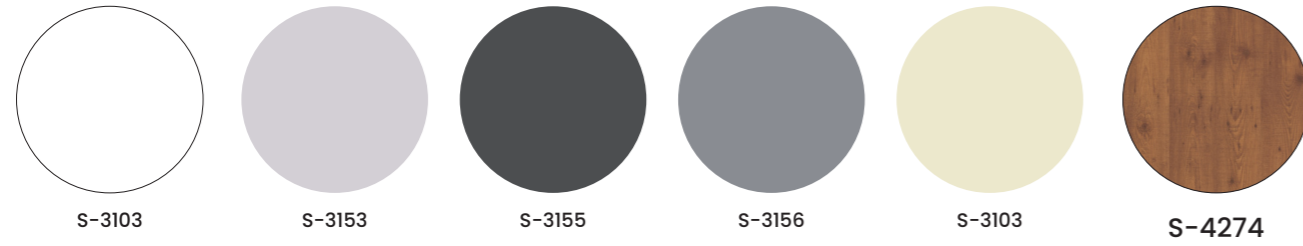


The details provide resistance against time.

The corners are made of 304 stainless steel and are rounded with an R15 radius.



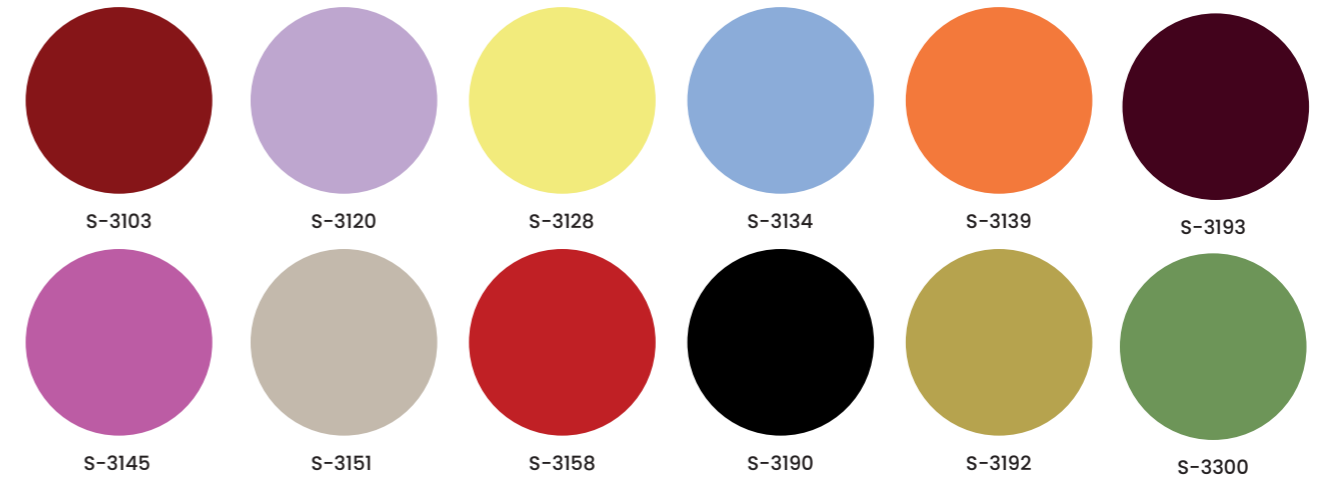
## Stock Colors



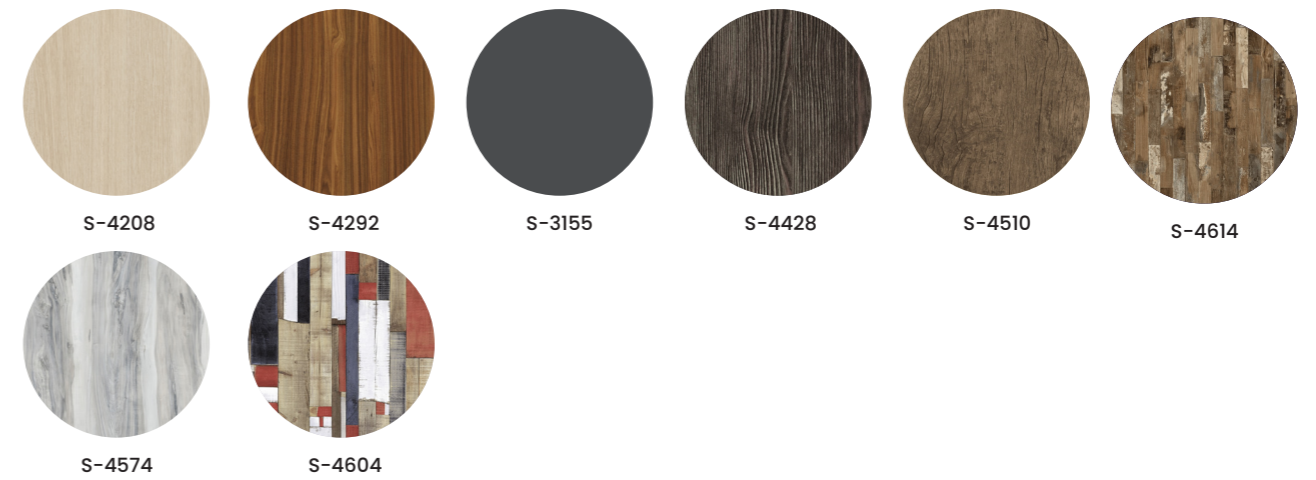
It is possible to prefer static paint with RAL color chart code for accessory products.



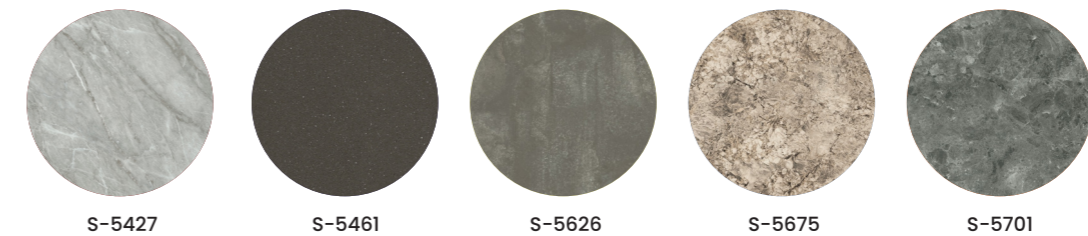
## Solid Colors (Out of Stock Production Process 4-8 weeks)



## Wood Colors (Out of Stock Production Process 4-8 weeks)



## Marble Pattern Colors (Out of Stock Production Process 4-8 weeks)



## Product Care

### Why is maintenance necessary?

It is critical to maintain stainless surfaces in order to maximize product life and corrosion resistance.

### What supplies are needed?

This is simply accomplished by dampening a clean cloth in warm water with a tiny bit of detergent or soap.

### How to care?

To begin, use a wet cloth to remove coarse grit and grime from the product to be cared for.

Next, thoroughly rinse your cloth. Wiping effectively requires gently rubbing the substance or ingredients.

### Attention!

Product maintenance should not be performed using carbon steel brushes or wool wire.



## Product Warranty

### Warranty

For two years, SANDER guarantees all of its products against corrosion and mechanical flaws.

(\* ) Our organization accepts no liability in the following situations:

Failure to follow assembly instructions,

In the case of wear and tear caused by maintenance mistakes, in the case of loss or damage caused by user errors, in the case of incorrect disassembly, removal, or replacement, and in the transportations used to carry the product from one location to another.

### (\*\* ) The right to change

SANDER retains the right to make modifications to standard product features and dimensions without previous notification in order to adhere to the idea of always enhancing service quality.



# SANDER

From Turkey to the World, with **environmental,**  
ecological, and national values...



# SANDER

Adding values to your living spaces



Contact Us

**0850 255 39 55**



## SALES OFFICE

Regus Ofis Park  
Merkez Mah. Baęlar Cad. No:14  
C2 Blok Zemin Kat, 34406  
**Kaęthane İstanbul, Türkiye**

✉ [teklif@sander.com.tr](mailto:teklif@sander.com.tr)

🌐 [www.sanderkabin.com.tr](http://www.sanderkabin.com.tr)



## FACTORY

Mehmet Akif Mah.  
Petrol Yolu Cad. No:212 A  
**Sultanbeyli, İstanbul Türkiye**

✉ [info@sander.com.tr](mailto:info@sander.com.tr)

🌐 [www.sander.com.tr](http://www.sander.com.tr)