

SANDER

Yaşam Alanlarınıza Değer Katar

2023
MODEL STEELLINE BINI
WC CUBICLE CATALOGUE
07

SANDER

S
I
N
C
E
2001

Our Brand **Vision**

From Turkey to the World, with **environmental**,
ecological, and national values...

EXPORT TO 26 DIFFERENT COUNTRIES



Since 2001, SANDER, the industry leader, has expanded its production and export volume.

It is a global brand that is continually expanding.

With cubicle manufacture, we specialize in providing comfort to living areas.

"High quality service at an affordable price" has been our motto from the day we opened our doors.

Our enterprise, which operates entirely with local capital and products, generates both employment and significant economic contributions to our country.

A model structure in terms of the significance it places on technology, R&D, design, and human resources.

SANDER, which is a "sustainable" discipline concept, gains an environmental business strategy.

Because of its environmental business strategy, SANDER is a "sustainable" discipline concept. acquires.

SANDER, which continuously decreases its carbon emissions through a regulated follow-up, plans to meet the "zero waste" aim by 2030.

The tagline "Adds value to your living spaces" inspires the design of practical, colorful, and dependable items.

SANDER provides comfort in over 20 nations.

OFFERS EFFECTIVE SOLUTIONS

Stelline Bini product line, passion, warmth, intimacy, and power, features a variety of colors that signify excitement and confidence. The color tones it includes promote speedy and effective decision making. As a result, he is in high demand in the fields of labor, education, and health.

Satin stainless steel is used for the connection, support, and complementing parts of the Stelline bini product group, which is part of the select **SANDER** range (SSS 304 quality). It offers a strong abrasion resistance and a five-year warranty.

This product readily adjusts to your living environments by providing alternatives to meet your comfort standards, audience, and likes. Adjustable foot heights often aid in adapting to wet areas and surface gradients.

MODEL STEELLINE BINI
Product Code: 10107A012

Value Adding **Features**

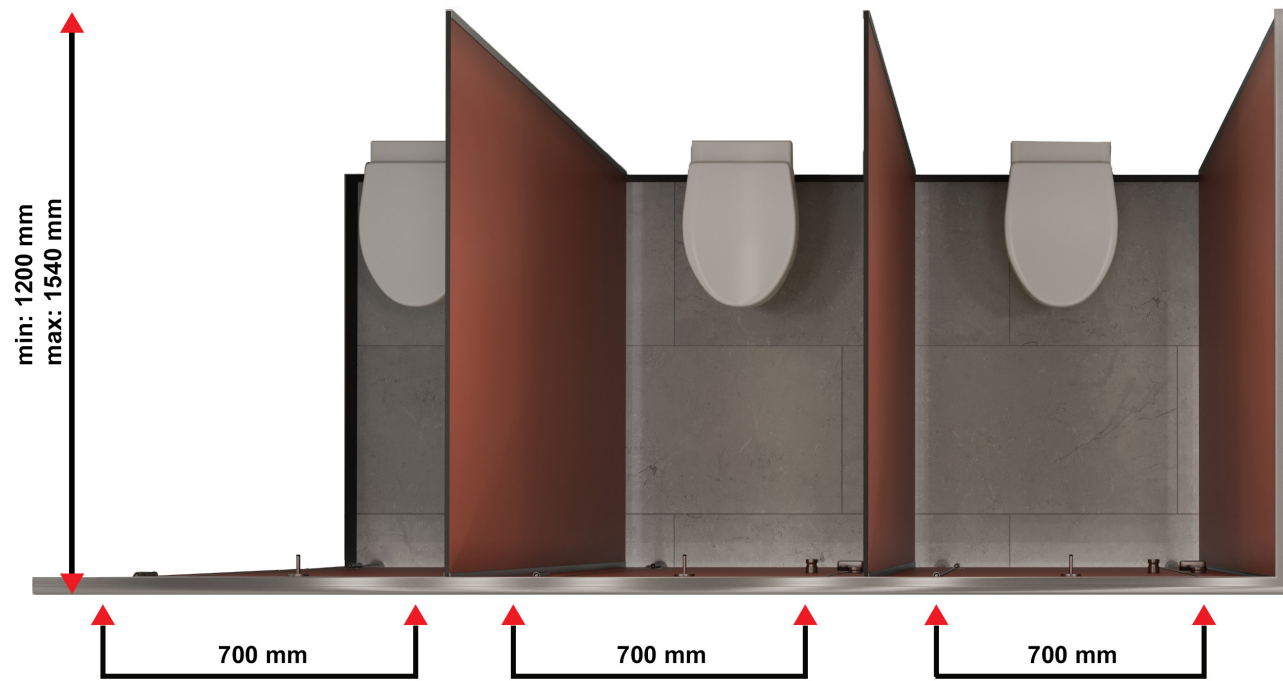
Quality details and advantages;

- Our panels are 12 mm thick and water and humidity resistant.
- Our panels are antibacterial and feature easy-to-clean surfaces.
- Our cabins' panels and fasteners are certified.
- This product line makes use of first-rate album raw materials.
- Satin stainless steel is used to make connection, support, and complimentary pieces (SSS 304 quality).
- Steel materials have received a unique coating (SSS permalast) that improves corrosion resistance.
- Product line of the SANDER Stelline Bini series.
- Produced with cutting-edge technology and engineering expertise.
- It has been designed with the notion of adding value to living spaces in mind.
- Designs that were unique, innovative, and colorful were employed.
- Water, humidity, heat, and cold have no effect on it.
- It has a strong abrasion resistance.
- It is entirely made in Turkiye.
- It creates direct jobs and contributes to the Turkish economy.
- Customer satisfaction is prioritized both before and after the transaction.
- For this product, you may select static paint from the RAL color chart.

Creativity is in the details.


With A Three-Dimensional Perspective
PRECISE DETERMINATION, AND DEFINITIVE SOLUTION

TOP VIEW





FRONT VIEW






S	S	01	X	012
SANDER	MODEL NAME	PRODUCT CODE	PRODUCT TYPE	PANEL THICKNESS






**SS08X012
HANGER**

- It's made of 304 quality stainless steel.
- It is corrosion-free within the guarantee term.
- Water and humidity resistant.
- Plastic material is added at the product's end to serve as a stopper and prevent impacts.
- It is capable of transporting up to 10 kilograms.




**SS05X012
LOCK**

- They're compatible with both 12 mm and 18 mm HPL panels.
- It has a latch and dial mechanism.
- It has a 304 quality stainless steel profile latch, twisted body, and arm.
- It uses the latch turning mechanism to lock.
- It has a latch and dial, and with the colored mechanism (red-green) on it, it displays from the outside whether the door is busy or not.
- It is interfered from the outside in case of an emergency.




**PS0112X
U-CONNECTION PROFILE**

- The edges of the panel are not visible when the cabin system spins thanks to the application of this connection piece.
- The U profile's exterior dimensions will be 22 x 15 mm, with a wall thickness of 1.5 mm.
- It will be used to link U profile-Wall and U profile-Divider Panels.
- Its dimensions are 4.2 x 11 mm. Thick threaded, stainless steel screws are used to fasten it.




**PS0312X
DOOR PROFILE**

- It is an inox profile that serves as a boarding at the door by attaching to fixed panels.
- This item measures 4.2 x 11 mm. coarse thread, fastened with 304 stainless screws, in the YHB style.




**PS0412X
CORNER CONNECTION PROFILE**

- The edges of the panel are not visible when the cabin system spins thanks to the application of this connection piece.
- Size: 30 x 30 mm.
- Compact laminate panels will grab the corner profile on all sides.
- This product attached using 304 grade stainless steel screws with a coarse thread measuring 4.2 x 11 mm.




**PS0512X
TOP PANEL PROFILE**

- Profiles will be installed on the cabinet system's top, front, and side edges.
- A square profile with dimensions of 50 mm x 45 mm and a wall thickness of 1.2 mm will be utilized as the header profile.




**SS03X012
HINGE-SPRING**

- The flat (Tongue-Groove) style door systems category includes this product.
- Metal pieces'll be composed of stainless steel.
- The hinge covers won't have any visible wings.
- They're compatible with both 12 mm and 18 mm HPL panels.
- 90 mm in height and 70 mm in width.



**SS01X012
LEG**

- The size range is 100-150 mm with a diameter of 27mm.
- It has 52 mm diameter leg cover.
- This accessory's adjustable height ranges from 100mm to 150mm.
- The material will be protected by a 12.5 mm duct in a compact laminate panel.
- The leg foundation will be secured to the ground using PA6 shoes that are attached with stainless screws at at least three distinct spots



**SS09X012
GRIP**

- It is produced of 304 stainless steel.
- It is 35 mm in diameter, and 40 mm in length.
- It has an MBx35 grub screw connection.
- It is not affected by water, humidity and corrosion.
- Its warranty is covered by SANDER's guarantee.

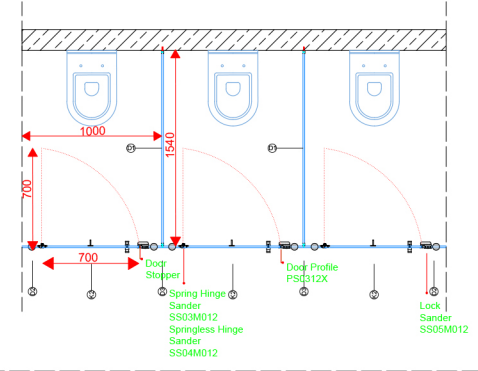


**SS04X012
HINGE-SPRINGLESS**

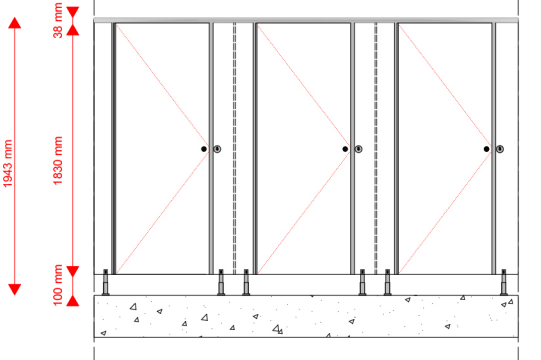
- The flat (Tongue-Groove) style door systems category includes this product.
- Metal pieces'll be composed of stainless steel.
- The hinge covers won't have any visible wings.
- They're compatible with both 12 mm and 18 mm HPL panels.
- 90 mm in height and 70 mm in width.



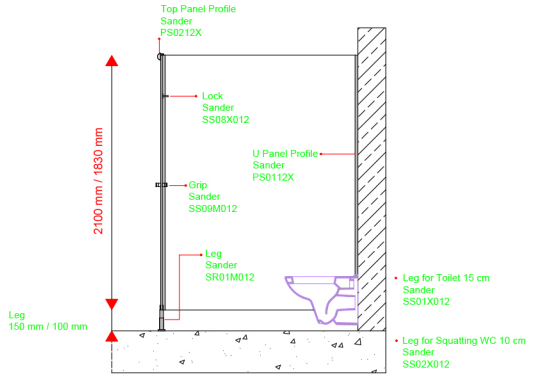
TOP VIEW




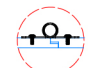
FRONT VIEW



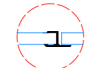
SIDE VIEW








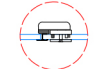
HINGE DETAIL



DOOR DETAIL



LOGO DETAYI
Her bir kabin panelinin arkası yüzüne, belli aralıklarla CNC matkap ile logo kazıyacaktır.



LOCK DETAIL

PANELS
The feature is 12 mm Compact laminate panels with double surface decorative, water, scratch, and break resistant, bacteria free, and fire retardant. CGS - CGF EN 438-4 class

LOCK
The door shows if it is busy from the outside by turning the colored mechanism on the latch (TURNED). 304 Stainless Steel

HINGE
Doors with profile rebates (BINI PROFILE SYSTEM) are used in door systems. It features a self-closing spring mechanism and is made of 304 STAINLESS STEEL.

LEG
Anti-bacterial plastic floor connection, 304 stainless steel. The adjustable height is 100-150 mm, making it suited for moist regions in general. It aids in adapting to the current slope.

CONNECTIONS AND PROFILES
At junctions, head profiles and "U" profiles 304 stainless steel, panel-wall, and panel-panel are utilized. Fasteners used in cabinet assembly are all stainless steel.



Accessories



Leg

Product Code - SS01X012

- The size range is 150–200 mm, with a diameter of 27mm.
- This accessory's adjustable height ranges from 150mm to 200mm.
- It has 52 mm diameter leg cover.
- The material will be protected by a 12.5 mm duct in a compact laminate panel.
- The leg foundation will be secured to the ground using PA6 shoes that are attached with stainless screws at at least three distinct spots.
- They're linked to the anti-bacterial plastic floor at three points.
- They're compatible with both 12 mm and 18 mm HPL pannels.
- It has a carrying capacity of 70 kg.
- Water and humidity resistant.



NOT AFFECTED
BY WATER



CORROSION
RESISTANT



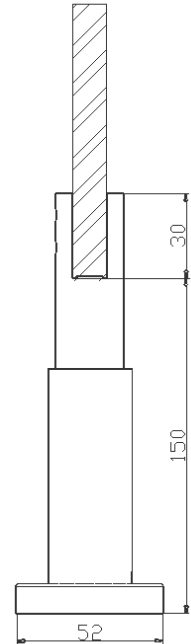
MATERIAL 304
STAINLESS STEEL
INOX



0,222 kg



Certificate Certificate
CE ISO 9001:2015



Details matter when it comes to quality.

It is appropriate for wet areas in general and has an adjustable height of 150–200 mm. helps you adjust to the surface's slope.





Leg

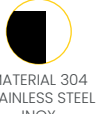
Product Code - SS02X012



NOT AFFECTED BY WATER



CORROSION RESISTANT



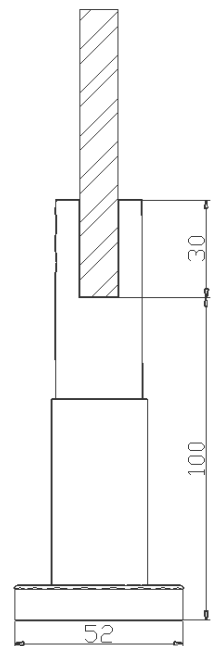
MATERIAL 304 STAINLESS STEEL INOX

- The size range is 100-150 mm, with a diameter of 27mm.
- This accessory's adjustable height ranges from 100mm to 150mm.
- It has 52 mm diameter leg cover.
- The material will be protected by a 12.5 mm duct in a compact laminate panel.
- The leg foundation will be secured to the ground using PA6 shoes that are attached with stainless screws at at least three distinct spots.
- They're linked to the anti-bacterial plastic floor at three points.
- They're compatible with both 12 mm and 18 mm HPL pannels.
- It has a carrying capacity of 70 kg.
- Water and humidity resistant.



0,278 kg

Certificate CE Certificate ISO 9001:2015





Hinge- Spring

Product Code - SS03X012

- The flat (single face) style door systems category includes this product.
- Metal pieces will be composed of stainless steel.
- They're compatible with both 12 mm and 18 mm HPL pannels.
- The hinge covers won't have any visible wings.
- 90 mm in height and 70 mm in width.
- 18 mm. In the nest, it will function.
- It enables the doors to close on their own.
- It has a mechanism with springs.



NOT AFFECTED
BY WATER



CORROSION
RESISTANT



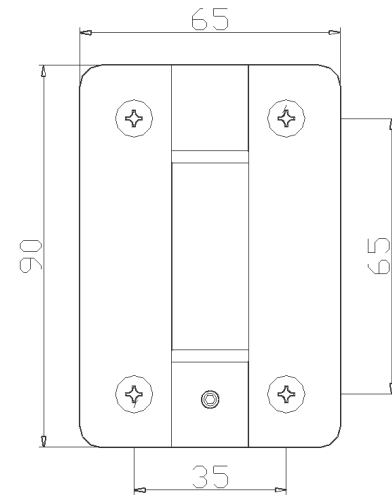
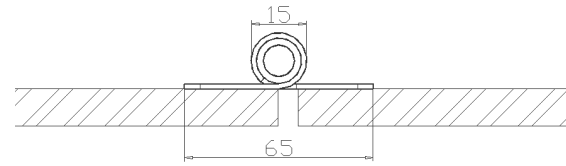
MATERIAL 304
STAINLESS STEEL
INOX



Certificate
CE

Certificate
ISO 9001:2015

0,220 kg





Hinge Springless

Product Code - SS04X012



NOT AFFECTED
BY WATER



CORROSION
RESISTANT



MATERIAL 304
STAINLESS STEEL
INOX

- The flat (single face) style door systems category includes this product.
- Metal pieces will be composed of stainless steel.
- They're compatible with both 12 mm and 18 mm HPL pannels.
- The hinge covers won't have any visible wings.
- 90 mm in height and 70 mm in width.
- 18 mm. In the nest, it will function.
- It enables the doors to close on their own.
- It has a mechanism without springs.



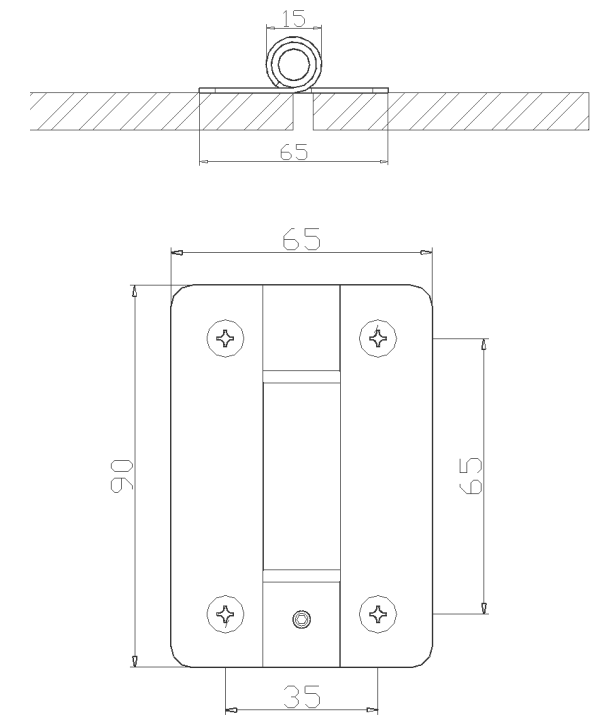
0,236 kg



Certificate
CE



Certificate
ISO 9001:2015



Details matter for comfort.

The hinges to the doors' centers of gravity can be modified appropriately. This method, automated door closure is offered.



Lock

Product Code - SS05X012

- They're compatible with both 12 mm and 18 mm HPL pannels.
- It has a latch and dial mechanism.
- It has a 304 quality stainless steel profile latch, twisted body, and arm.
- It uses the latch turning mechanism to lock.
- It has a latch and dial, and with the colored mechanism (red-green) on it, it displays from the outside whether the door is busy or not
- it is interfered from the outside in case of an emergency.



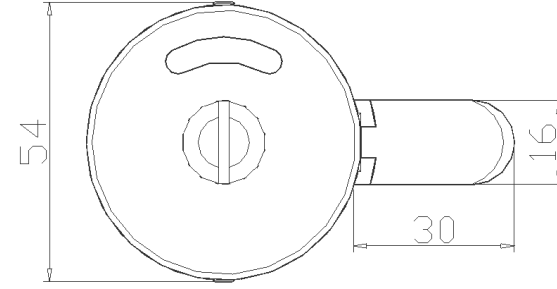
NOT AFFECTED
BY WATER



CORROSION
RESISTANT



MATERIAL 304
STAINLESS STEEL
INOX



0,186 kg



In the details lies security.

The exterior cover has an on/off indication. For emergency interventions, there is a handle inside that may be opened with any pointed item from the outside.



Hanger

Product Code - SS08X012



NOT AFFECTED
BY WATER

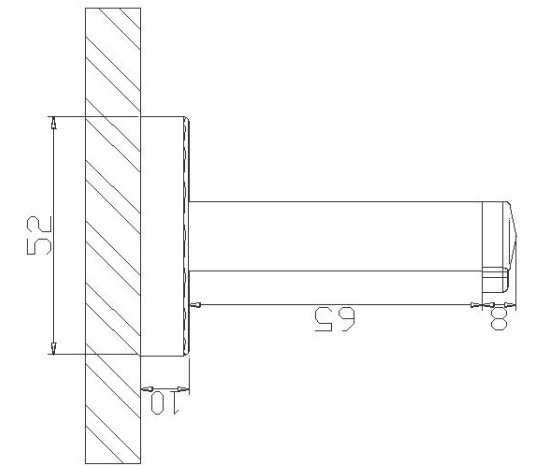


CORROSION
RESISTANT



MATERIAL 304
STAINLESS STEEL
INOX

- It's made of 304 quality stainless steel.
- It is corrosion-free within the guarantee term.
- Water and humidity resistant.
- Plastic material is added at the product's end to serve as a stopper and prevent impacts.
- It is capable of transporting up to 10 kilograms.



Our difference hidden in the details.

The hangers will be held together by YHB 4.2 x 11 mm thick threaded 304 stainless screws.

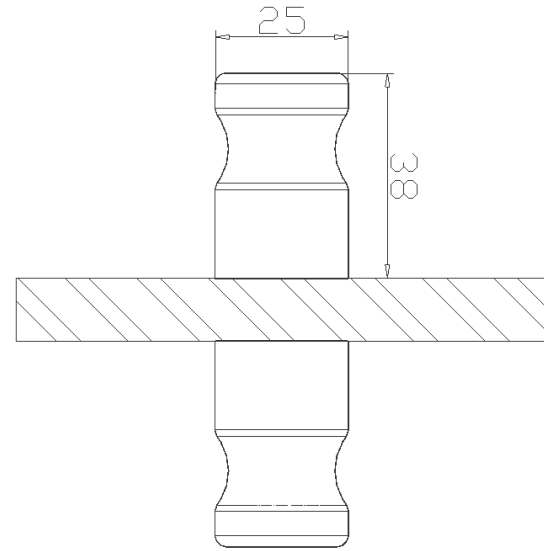


Grip

Product Code - SS09X012

- It is produced of 304 stainless steel.
- It is 35 mm in diameter, and 40 mm in length.
- It has an M8x35 grub screw connection.
- It is not affected by water, humidity and corrosion.
- Its warranty is covered by SANDER's guarantee.

0,256 kg



Details conceal double-sided use.

In order for the doors to open and close practically, this substance is applied on both sides.

Details determine longevity.

Made with inox profile to fasten panels to walls and other panels.



Inox U Pannel Connection Profile

Product Code - PS0112X

- The edges of the panel are not visible when the cabin system spins thanks to the application of this connection piece.
- The U profile's exterior dimensions will be 22 x 15 mm, with a wall thickness of 1.5 mm.
- It will be used to link U profile-Wall and U profile-Divider Panels.
- Its dimensions are 4.2 x 11 mm. Thick threaded, stainless steel screws are used to fasten it.



183 cm



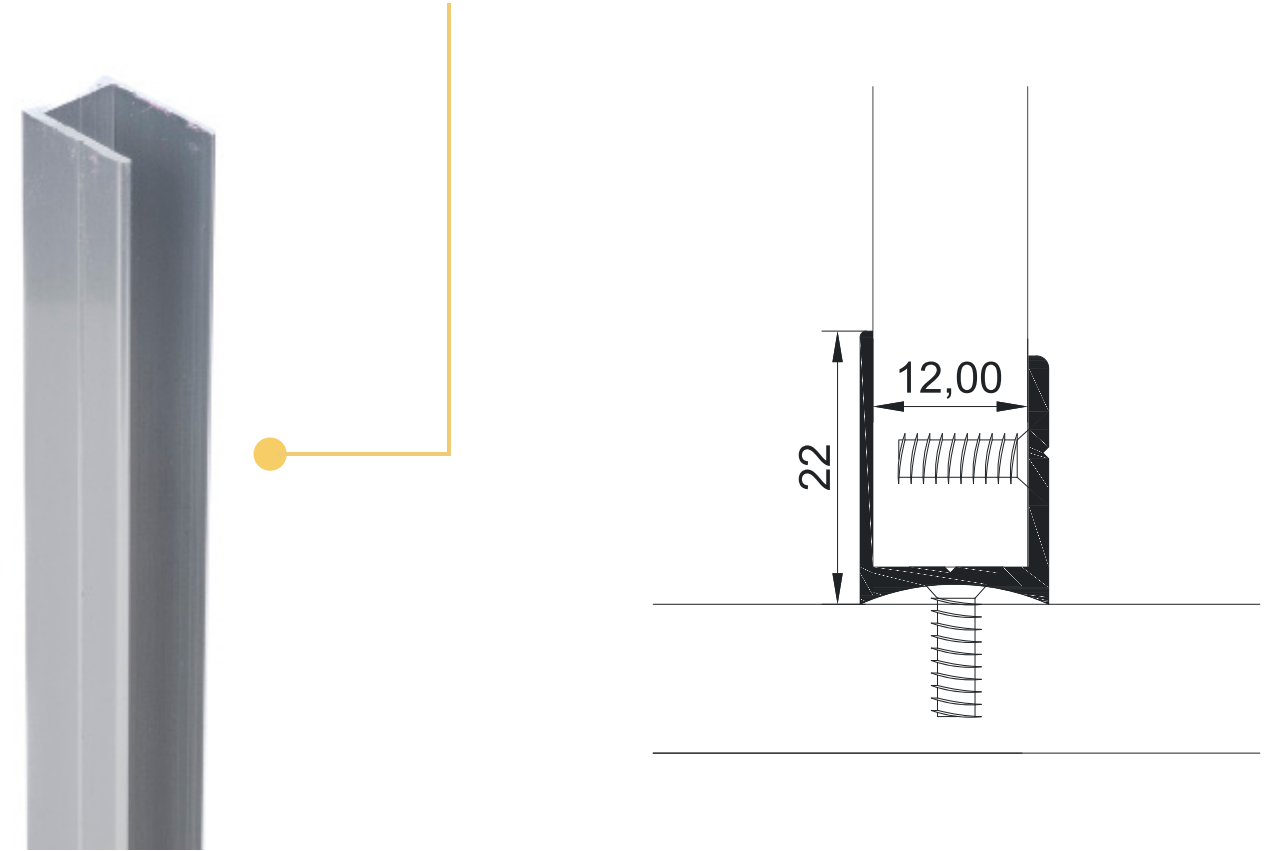
NOT AFFECTED BY WATER



CORROSION RESISTANT



MATERIAL ALUMINIUM INOX LOOK





Inox Top Pannel Connection Profile

Product Code - PS0512X

- Profiles will be installed on the cabinet system's top, front, and side edges.
- A curved profile with dimensions of 50 mm x 45 mm and a wall thickness of 1.2 mm will be utilized as the header profile.

300 cm



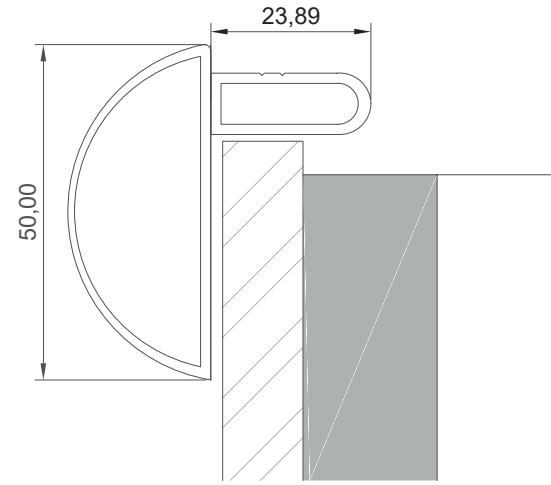
NOT AFFECTED
BY WATER



CORROSION
RESISTANT



MATERIAL ALUMINIUM
INOX LOOK



The details determine the appropriate accessory.
Using 3.9x25 screws inserted from the top, the head profile is secured to the panels.

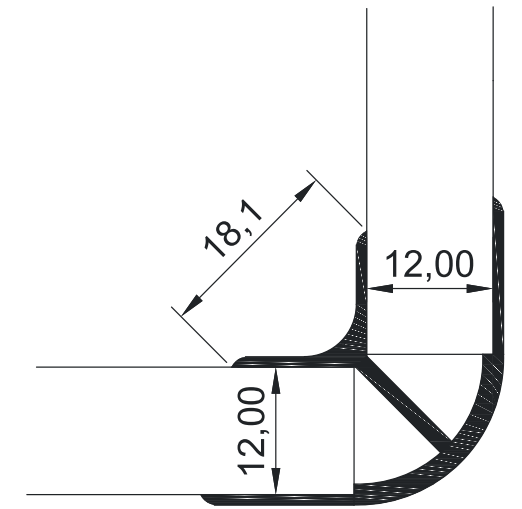


Inox Corner Connection Profile

Product Code - PS0412X

The details provide resistance against time.
The corners are made of 304 stainless steel and are rounded with an R15 radius.

- The edges of the panel are not visible when the cabin system spins thanks to the application of this connection piece.
- Size: 30 × 30 mm.
- Compact laminate panels will grab the corner profile on all sides.
- This product attached using 304 grade stainless steel screws with a coarse thread measuring 4,2 x 11 mm.





Inox Door Profile

Product Code - PS0312X

- It is an inox profile that serves as a boarding at the door by attaching to fixed panels.
- This item measures 4.2 x 11 mm. coarse thread, fastened with 304 stainless screws, in the YHB style.

300 cm



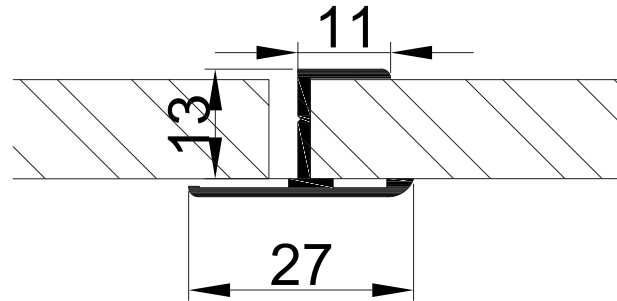
NOT AFFECTED
BY WATER



CORROSION
RESISTANT



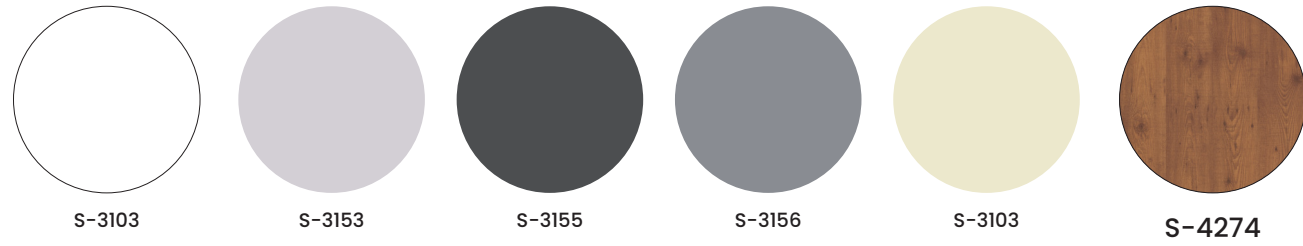
MATERIAL ALUMINIUM
INOX LOOK



Details are important for sound isolation.

When the doors are closed, special filaments (epdm type) will be positioned to stop the panels from slamming into one another, isolating unwelcome noises.

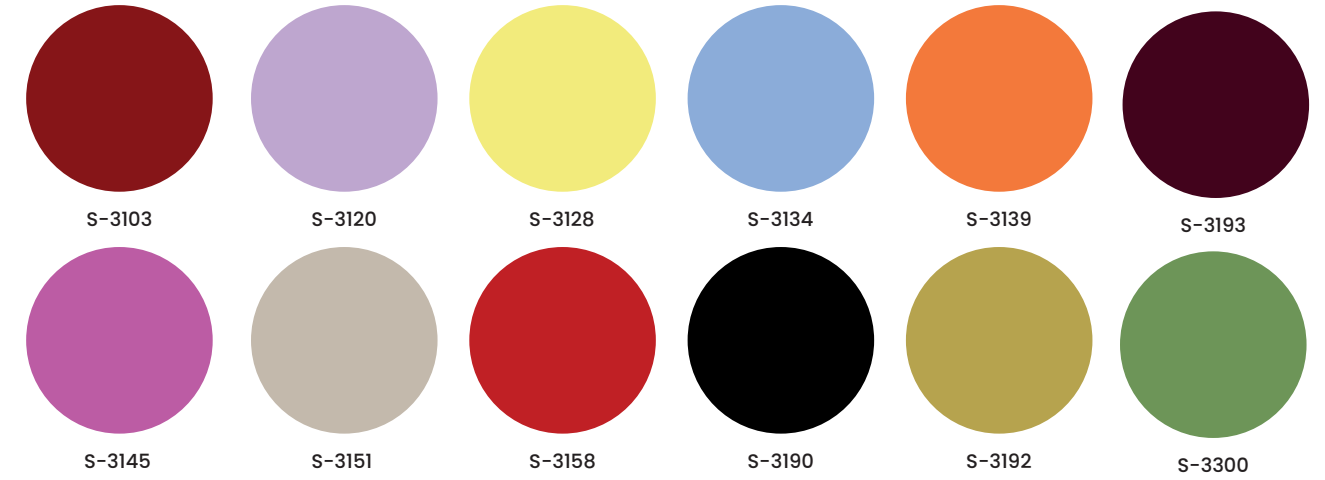
Stock Colors



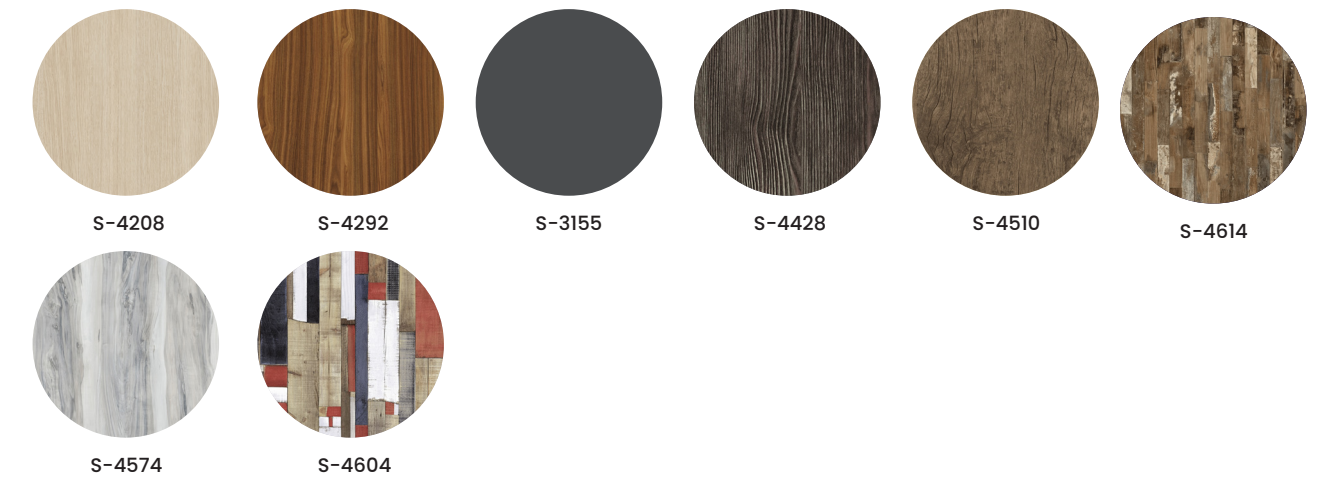
It is possible to prefer static paint with RAL color chart code for accessory products.



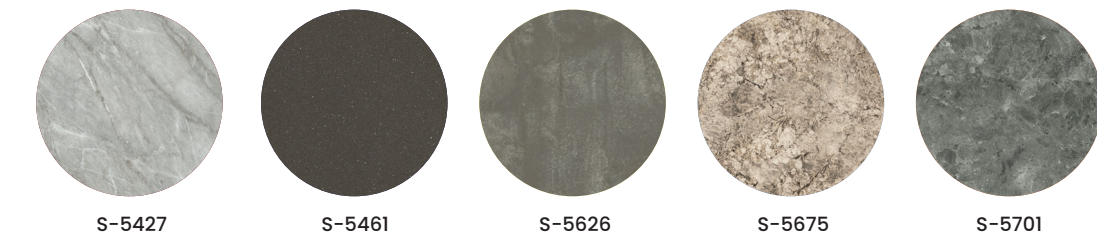
Solid Colors (Out of Stock Production Process 4-8 weeks)



Wood Colors (Out of Stock Production Process 4-8 weeks)



Marble Pattern Colors (Out of Stock Production Process 4-8 weeks)



Product Care

Why is maintenance necessary?

It is critical to maintain stainless surfaces in order to maximize product life and corrosion resistance.

What supplies are needed?

This is simply accomplished by dampening a clean cloth in warm water with a tiny bit of detergent or soap.

How to care?

To begin, use a wet cloth to remove coarse grit and grime from the product to be cared for.

Next, thoroughly rinse your cloth. Wiping effectively requires gently rubbing the substance or ingredients.

Attention!

Product maintenance should not be performed using carbon steel brushes or wool wire.



Product Warranty

Warranty

For two years, SANDER guarantees all of its products against corrosion and mechanical flaws.

(*) Our organization accepts no liability in the following situations:

Failure to follow assembly instructions,

In the case of wear and tear caused by maintenance mistakes, in the case of loss or damage caused by user errors, in the case of incorrect disassembly, removal, or replacement, and in the transportations used to carry the product from one location to another.

(**) The right to change

SANDER retains the right to make modifications to standard product features and dimensions without previous notification in order to adhere to the idea of always enhancing service quality.



SANDER

From Turkey to the World, with environmental, ecological, and national values...



SANDER

Adding values to your living spaces



Contact Us

0850 255 39 55



SALES OFFICE

Regus Ofis Park
Merkez Mah. Baęlar Cad. No:14
C2 Blok Zemin Kat, 34406
Kaęthane İstanbul, Türkiye

✉ teklif@sander.com.tr

🌐 www.sanderkabin.com.tr



FACTORY

Mehmet Akif Mah.
Petrol Yolu Cad. No:212 A
Sultanbeyli, İstanbul Türkiye

✉ info@sander.com.tr

🌐 www.sander.com.tr