



Adding values to your living spaces

2023
ACCESSORIES
WC CUBICLE CATALOGUE

SANDER

S
I
N
C
E
2001

Our Brand **Vision**

From Turkey to the World, with **environmental**,
ecological, and national values...

EXPORT TO 26 DIFFERENT COUNTRIES



Since 2001, SANDER, the industry leader, has expanded its production and export volume.

It is a global brand that is continually expanding.

With cubicle manufacture, we specialize in providing comfort to living areas.

"High quality service at an affordable price" has been our motto from the day we opened our doors.

Our enterprise, which operates entirely with local capital and products, generates both employment and significant economic contributions to our country.

A model structure in terms of the significance it places on technology, R&D, design, and human resources.

SANDER, which is a "sustainable" discipline concept, gains an environmental business strategy.

Because of its environmental business strategy, SANDER is a "sustainable" discipline concept. acquires.

SANDER, which continuously decreases its carbon emissions through a regulated follow-up, plans to meet the "zero waste" aim by 2030.

The tagline "Adds value to your living spaces" inspires the design of practical, colorful, and dependable items.

SANDER provides comfort in over 20 nations.



Model Proxline Classic



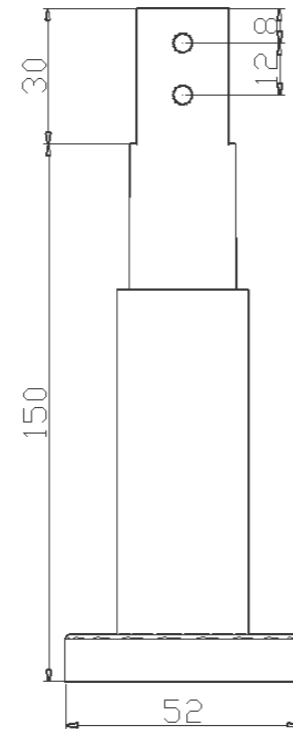
Leg

Product Code - SR01M012

- The size range is 150-200 mm, with a diameter of 27mm.
- They're compatible with both 12 mm and 18 mm HPL panels.
- They're linked to the anti-bacterial plastic floor.
- Body is produced with matte anodised aluminum.
- It has a carrying capacity of 70 kg.
- It has 52 mm diameter leg cover.
- The material will be protected by a 12.5 mm duct in a compact laminate panel
- The leg foundation will be secured to the ground using PA6 shoes that are attached with stainless screws at at least three distinct spots.



0,186 kg



Sturdiness is hidden in the details.

In wet and humid living areas, this unique product aids in adapting to any sloping surface.





Leg

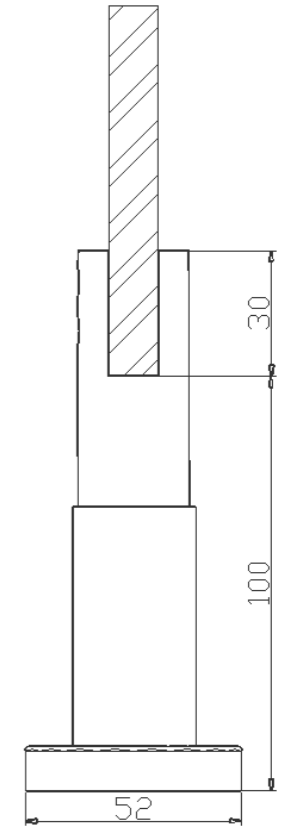
Product Code - SR02M012



- The size range is 100-150 mm, with a diameter of 27mm.
- They're compatible with both 12 mm and 18 mm HPL panels.
- They're linked to the anti-bacterial plastic floor.
- Body is produced with matte anodised aluminum.
- It has a carrying capacity of 70 kg.
- It has 52 mm diameter leg cover.
- The material will be protected by a 12.5 mm duct in a compact laminate panel.
- The leg foundation will be secured to the ground using PA6 shoes that are attached with stainless screws at at least three distinct spots.



 0,186 kg





Lock

Product Code - SR04X012

- They're compatible with both 12 mm and 18 mm HPL panels.
- It has a mechanism for sliding.
- Matte metal body and handle.
- Antibacterial plastic floor connection.
- Sliding is used for locking.
- If the cabinet is full is shown by the colored mechanism (red-green) on it.
- In the event of an emergency, outside intervention is possible.



NOT AFFECTED BY
WATER



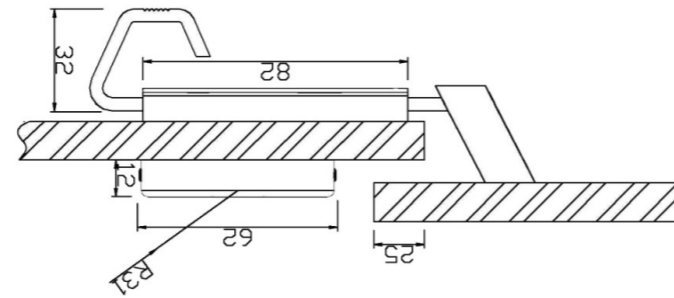
CORROSION
RESISTANT



MATTE ANODIZED
ALUMINUM COATING



0,152 kg



In the details lies confidence.

On the outside of the lid, there is an on/off indicator. For emergency interventions, it features a handle inside that can be opened with any pointed object from the outside.



Hanger

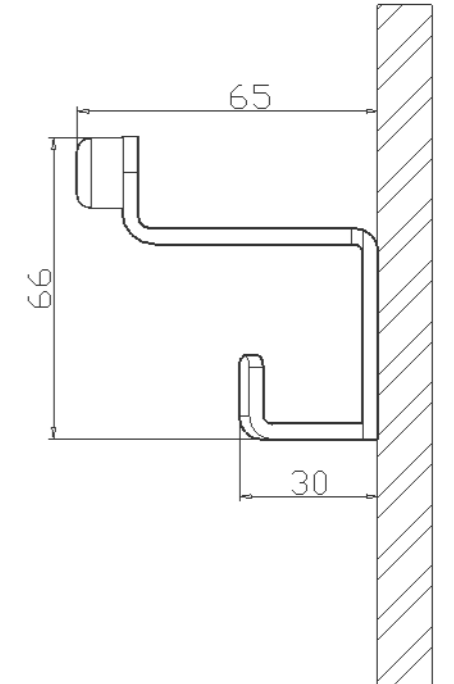
Product Code - SR07M012



- It is made of anodized aluminum double hook.
- This ergonomic product is 35 mm in width and 55 mm in height.
- Aluminum was used in the manufacturing of this product.
- It is corrosion-free within the guarantee term.
- Water and humidity resistant.
- Plastic material is added at the product's end to serve as a stopper and prevent impacts.
- It is capable of transporting up to 10 kilograms.



0,142 kg



Our difference hidden in the details.

The hangers will be held together by YHB 4.2 x 11 mm thick threaded 304 stainless screws.

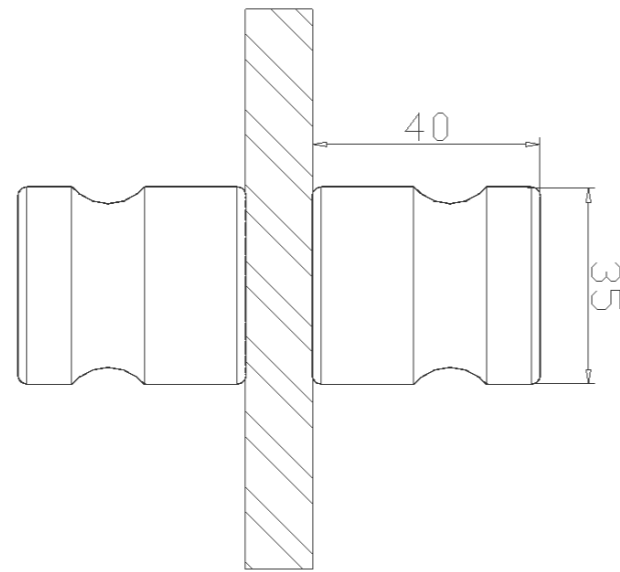
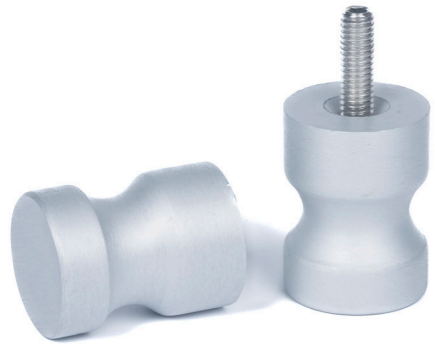


Grip

Product Code - SR08M012

- It is 25 mm in diameter, and 32 mm in length.
- It has an M8x35 grub screw connection.
- It is not affected by water, humidity and corrosion.
- It is warranty is covered by SANDER's guarantee.

0,078 kg



Details conceal double-sided use.

In order for the doors to open and close practically, this substance is applied on both sides.



Hinge

Product Code - SR09M012



NOT AFFECTED BY
WATER



CORROSION
RESISTANT



MATTE ANODIZED
ALUMINUM COATING

Detail-oriented comfort is key.

The doors are equipped with an ABS system and a security screw that allows them to automatically close.

- This product belongs to the category of closed (panel overlap) style door systems.
- There is graded ABS plastic for closing (panel rebated) door systems that allows the doors to close automatically.
- Metal pieces will be composed of anodized aluminum.
- They're compatible with both 12 mm and 18 mm HPL panels.
- A single screw will be used against the door in such a manner that the compact laminate material and panel connectors overlap by 25mm on both sides.
- The screws will be visible on the hinge and will be used to wrap the compact laminate material on both sides
- With the door 10 mm away from the panels.
- The interior of the cubicle will be obscured by th 25mm that the door will press.
- Except for technical service employees, there will be a safety screw to prevent anybody form lifting and removing the door.
- The hinges will be adjusted based on the center of gravity, and the door will automatically close.

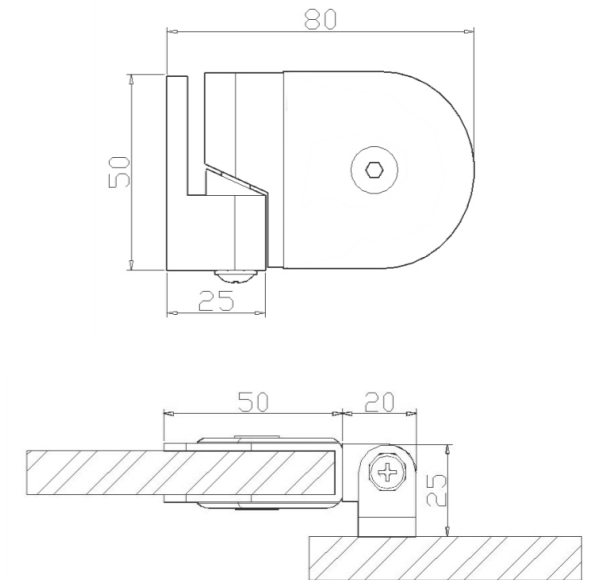


0,186 kg



Certificate
CE

Certificate
ISO 9001:2015





Model Multisilver



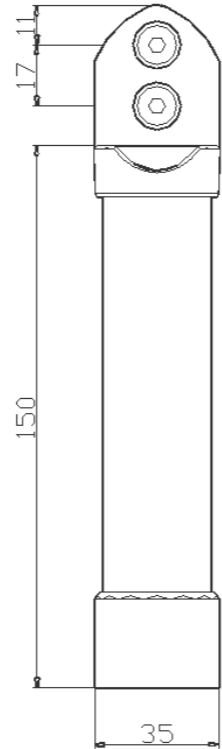
Leg

Product Code - SR01M012

- The size range is 150-200 mm, with a diameter of 30mm.
- It has adjustable height (between 150 mm- and 200 mm)
- They're compatible with both 12 mm and 18 mm HPL panels.
- It aids in the adaptation to all types of sloping slopes in wet areas.
- They're linked to the anti-bacterial plastic floor.
- Body is produced with matte anodised aluminum.
- 30mm. This unique product's upper portion has an oval shape in its diameter. (Has no dirt in it)
- The product is screwed plastic with a diameter of 34 mm.
- Two head screws are used to secure the plate.
- Offers long-lasting strength in heavy use in public spaces;
- Sander guarantees product quality;
- The sole of the foot is secured to the ground with 5x40 YHB screws with specific support shoes connected to a single point.



0,272 kg



The details make a solid stance.

To make the floor squarer when the product is fitted, add 20 mm. enables movement freedom.





Leg

Product Code - SR02M012

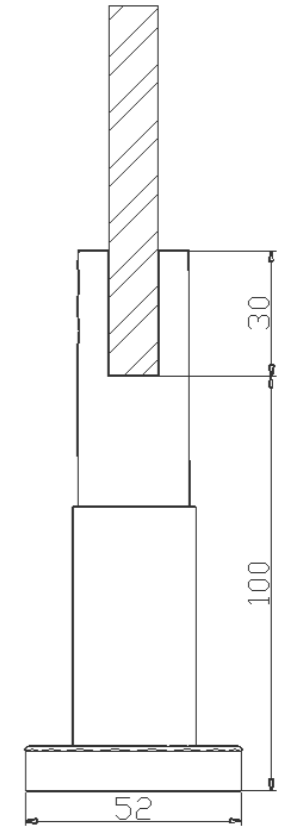


- The size range is 100-150 mm, with a diameter of 30mm.
- It has adjustable height (between 150 mm- and 200 mm)
- They're compatible with both 12 mm and 18 mm HPL pannels.
- It aids in the adaptation to all types of sloping slopes in wet areas.
- They're linked to the anti-bacterial plastic floor.
- Body is produced with matte anodised aluminum.
- 30mm. This unique product's upper portion has an oval shape in its d (Has no dirt in it)
- The product is screwed plastic with a diameter of 34 mm.
- Two head screws are used to secure the plate.
- Offers long-lasting strength in heavy use in public spaces;
- Sander guarantees product quality;



 0,186 kg

 Certificate
CE
 Certificate
ISO 9001:2015



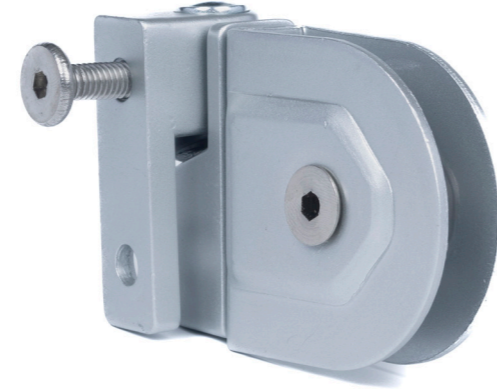


Hinge

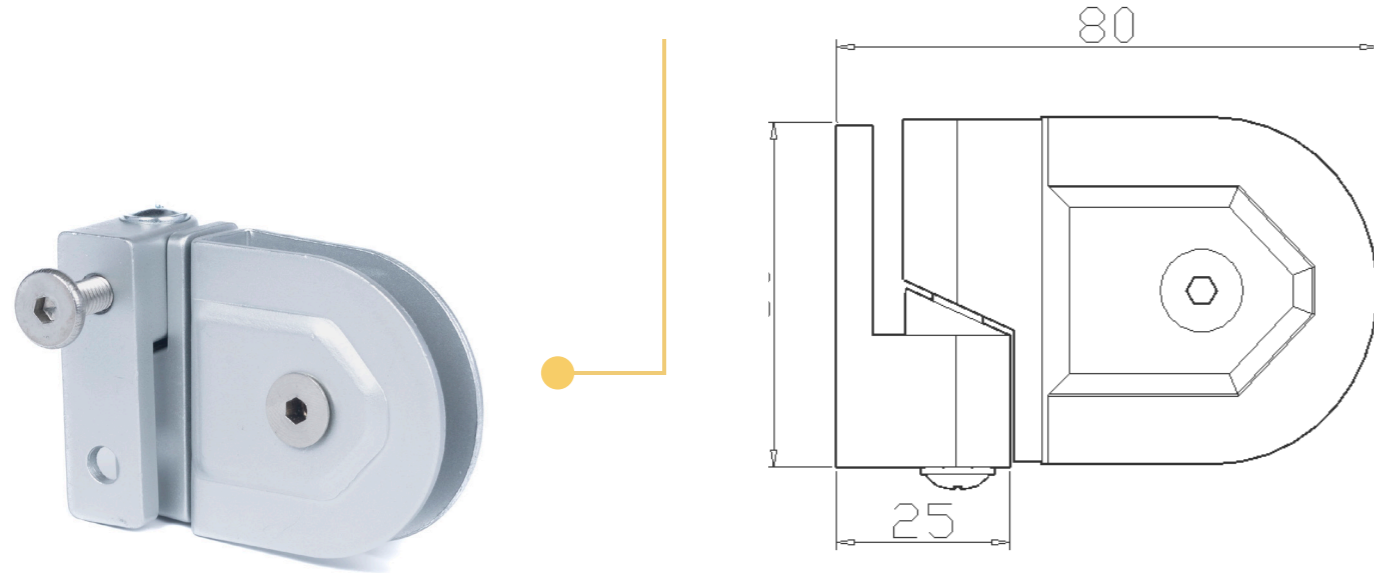
Product Code - SM03M012



- This product belongs to the category of closed (panel overlap) style door systems.
- There is graded ABS plastic for closing (panel rebated) door systems that allows the doors to close automatically.
- Metal pieces will be composed of anodized aluminum.
- They're compatible with both 12 mm and 18 mm HPL panels.
- A single screw will be used against the door in such a manner that the compact laminate material and panel connectors overlap by 25mm on both sides.
- The screws will be visible on the hinge and will be used to wrap the compact laminate material on both sides.
- With the door 10 mm away from the panels.
- The interior of the cubicle will be obscured by th 25mm that the door will press.
- Except for technical service employees, there will be a safety screw to prevent anybody form lifting and removing the door.



0,142 kg



Details matter for comfort.

The center of gravity of the doors can be taken into account while adjusting the hinges. This enables the doors to close on their own.



Lock

Product Code - SM04M012



- They're compatible with both 12 mm and 18 mm HPL panels.
- It has a mechanism for sliding.
- Matte metal body and handle.
- Antibacterial plastic floor connection.
- Sliding is used for locking.
- If the cabinet is full is shown by the colored mechanism (red-green) on it.
- In the event of an emergency, outside intervention is possible.

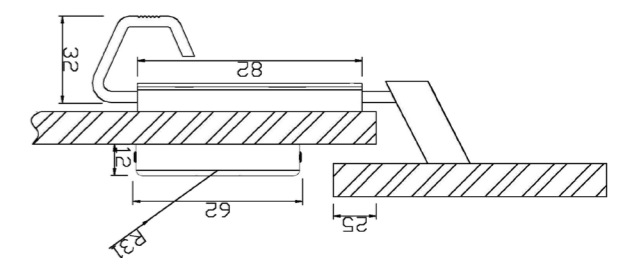


In the details lies confidence.

On the outside of the lid, there is an on/off indicator. For emergency interventions, it features a handle inside that can be opened with any pointed object from the outside.

 0,152 kg

 Certificate
CE
 Certificate
ISO 9001:2015





Hanger

Product Code - SM07M012

- It is made of anodized aluminum double hook.
- This ergonomic product is 35 mm in width and 55 mm in height.
- Aluminum was used in the manufacturing of this product.
- It is corrosion-free within the guarantee term.
- Water and humidity resistant.
- Plastic material is added at the product's end to serve as a stopper and prevent impacts.
- It is capable of transporting up to 10 kilograms.



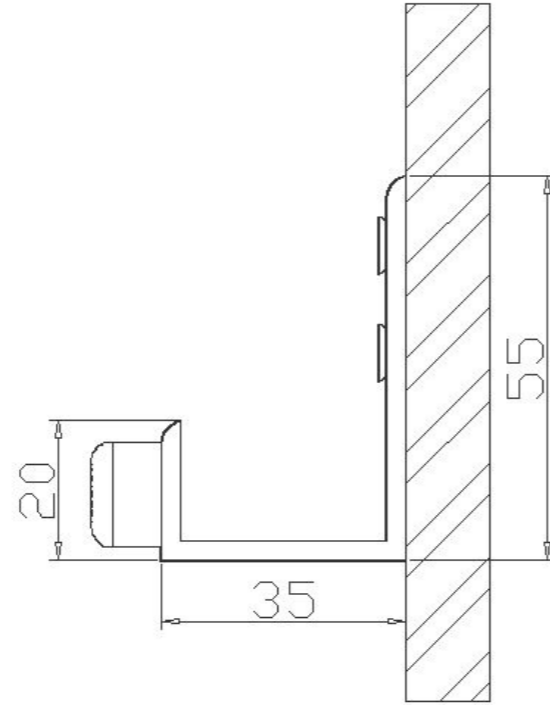
NOT AFFECTED BY
WATER



CORROSION
RESISTANT



MATTE ANODIZED
ALUMINUM COATING



0,018 kg



Our difference hidden in the details.

The hangers will be held together by YHB 4.2 x 11 mm thick threaded 304 stainless screws.



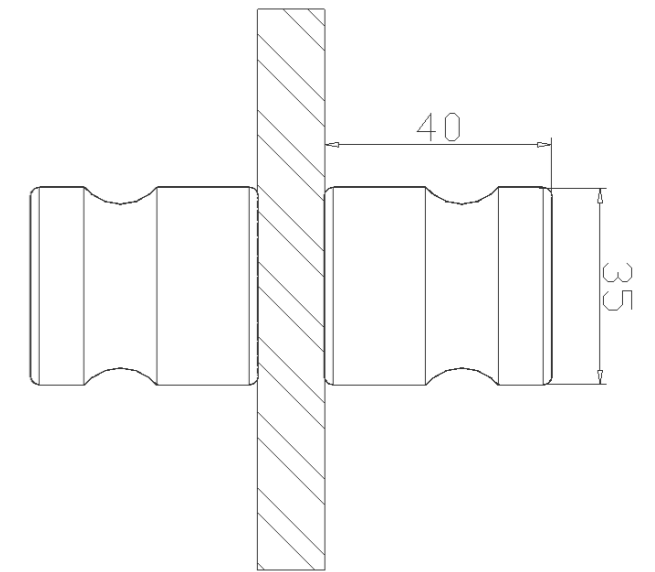
Grip

Product Code - SM08M012



- It is 25 mm in diameter, and 32 mm in length.
- It has an M8x35 grub screw connection.
- It is not affected by water, humidity and corrosion.
- Its warranty is covered by SANDER's guarantee.

0,078 kg



Double-sided use is hidden in the details.

This product is used on both sides so that the doors can be opened and closed practically.



Model Proxline



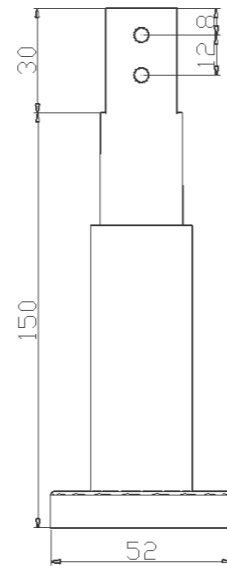
Leg

Product Code - SR01M012

- The size range is 150-200 mm, with a diameter of 27mm.
- They're compatible with both 12 mm and 18 mm HPL panels.
- They're linked to the anti-bacterial plastic floor.
- Body is produced with matte anodised aluminum.
- It has a carrying capacity of 70 kg.
- It has 52 mm diameter leg cover.
- The material will be protected by a 12.5 mm duct in a compact laminate panel
- The leg foundation will be secured to the ground using PA6 shoes that are attached with stainless screws at at least three distinct spots.



0,186 kg



Sturdiness is hidden in the details.

In wet and humid living areas, this unique product aids in adapting to any sloping surface.





Leg

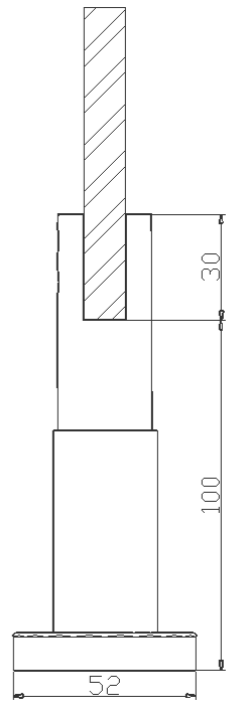
Product Code - SR02M012



- The size range is 100-150 mm, with a diameter of 27mm.
- They're compatible with both 12 mm and 18 mm HPL panels.
- They're linked to the anti-bacterial plastic floor.
- Body is produced with matte anodised aluminum.
- It has a carrying capacity of 70 kg.
- It has 52 mm diameter leg cover.
- The material will be protected by a 12.5 mm duct in a compact laminate panel.
- The leg foundation will be secured to the ground using PA6 shoes that are attached with stainless screws at at least three distinct spots.



 0,142 kg





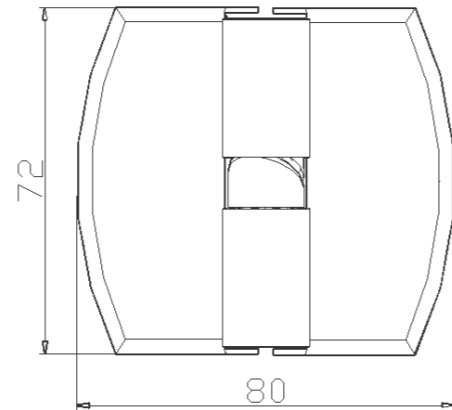
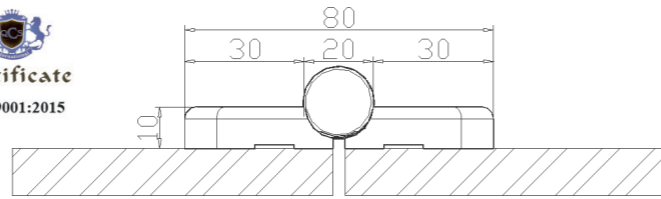
Hinge

Product Code - SR03M012

- The flat (single face) style door systems category includes this product.
- There is graded ABS plastic for closing (panel rebated) door systems that allows the doors to close automatically.
- metal pieces will be composed of anodized aluminum.
- They're compatible with both 12 mm and 18 mm HPL pannels.
- The panel connectors will be secured with four screws.
- The hinge covers won't have any visible wings.
- With the door 10 mm away from the panels.
- the interior of the cubicle will be obscured by th 25mm that the door will press.
- Except for technical service employees, there will be a safety screw to prevent anybody form lifting and removing the door.
- The hinges will be adjusted based on the center of gravity, and the door will automatically close.



0,164 kg



Details are where creativity lies.

The doors are equipped with an ABS system and a security screw that allows them to automatically close.



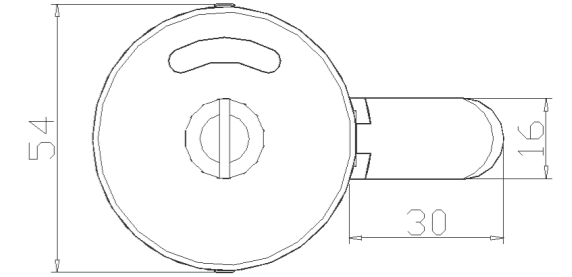


Lock

Product Code - SR04M012



- For doors that open outward, the lock is fastened to the door; for doors that open inward, it is fastened to the fixed panel.
- They're compatible with both 12 mm and 18 mm HPL panels.
- It has a latch and dial mechanism.
- It has a matte anodized aluminum profile latch, twisted body, and arm..
- For emergency interventions, there is a handle inside that may be opened with any pointed item from the outside.
- It has a latch and dial, and with the colored mechanism (red green) on it, it displays from the outside whether the door is busy or not.
- it is interfered from the outside in case of an emergency.



In the details lies security.

The exterior cover has an on/off indication. For emergency interventions, there is a handle inside that may be opened with any pointed item from the outside.



Hanger

Product Code - SR07M012

- It is made of anodized aluminum double hook.
- This ergonomic product is 35 mm in width and 55 mm in height.
- Aluminum was used in the manufacturing of this product.
- It is corrosion-free within the guarantee term.
- Water and humidity resistant.
- Plastic material is added at the product's end to serve as a stopper and prevent impacts.
- It is capable of transporting up to 10 kilograms.



NOT AFFECTED BY
WATER



CORROSION
RESISTANT

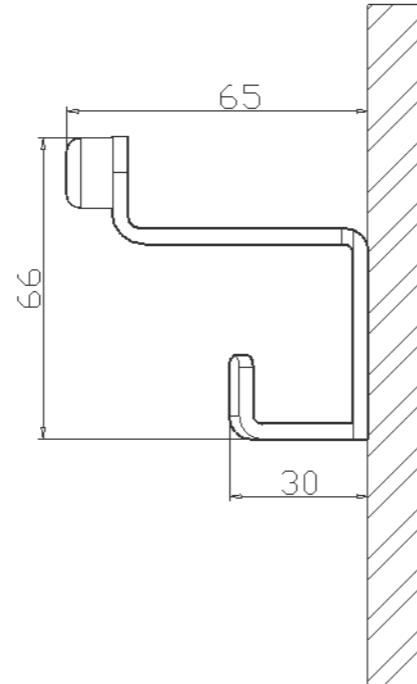


MATTE ANODIZED
ALUMINUM COATING

 0,24 kg

 Certificate
CE

 Certificate
ISO 9001:2015



Our difference hidden in the details.

The hangers will be held together by YHB 4.2 x 11 mm thick threaded 304 stainless screws.



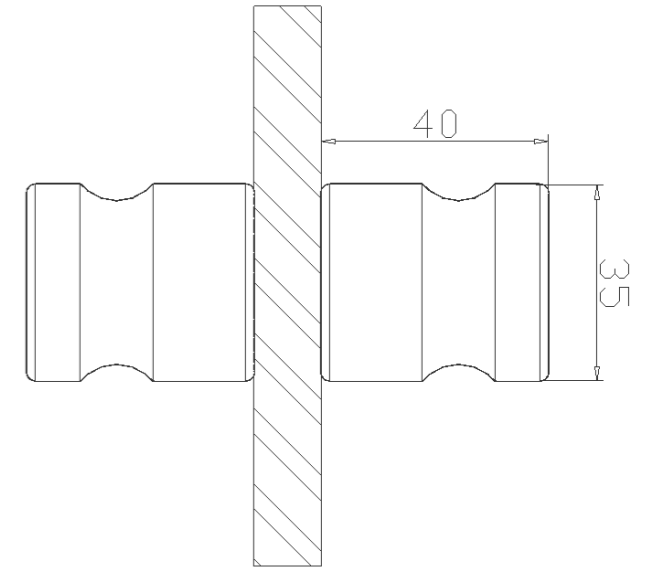
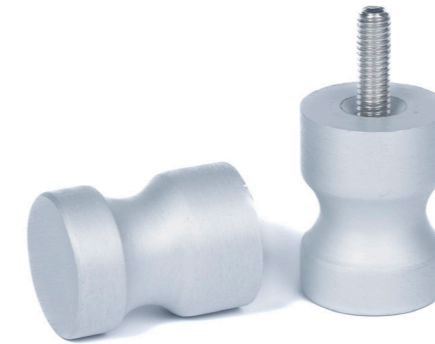
Grip

Product Code - SR08M012



- It is 25 mm in diameter, and 32 mm in length.
- It has an M8x35 grub screw connection.
- It is not affected by water, humidity and corrosion.
- Its warranty is covered by SANDER's guarantee.

0,78 kg



Çift taraflı kullanım, detaylarda gizlidir.

Bu ürün, kapıların pratik biçimde açılıp kapatılabilmesi için çift taraflı olarak kullanılır.





Model Proxline Bini



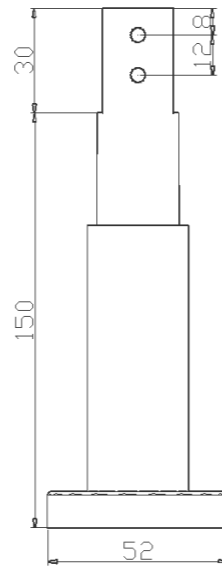
Leg

Product Code - SR01M012

- The size range is 150-200 mm, with a diameter of 27mm.
- They're compatible with both 12 mm and 18 mm HPL panels.
- They're linked to the anti-bacterial plastic floor.
- Body is produced with matte anodised aluminum.
- It has a carrying capacity of 70 kg.
- It has 52 mm diameter leg cover.
- The material will be protected by a 12.5 mm duct in a compact laminate panel
- The leg foundation will be secured to the ground using PA6 shoes that are attached with stainless screws at at least three distinct spots.



0,186 kg



Sturdiness is hidden in the details.

In wet and humid living areas, this unique product aids in adapting to any sloping surface.





Leg

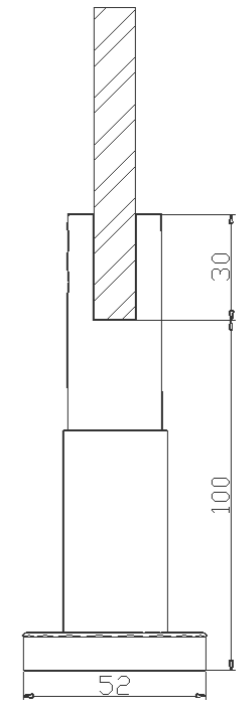
Product Code - SR02M012



- The size range is 100-150 mm, with a diameter of 27mm.
- They're compatible with both 12 mm and 18 mm HPL panels.
- They're linked to the anti-bacterial plastic floor.
- Body is produced with matte anodised aluminum.
- It has a carrying capacity of 70 kg.
- It has 52 mm diameter leg cover.
- The material will be protected by a 12.5 mm duct in a compact laminate panel.
- The leg foundation will be secured to the ground using PA6 shoes that are attached with stainless screws at at least three distinct spots.



0,142 kg





Hinge

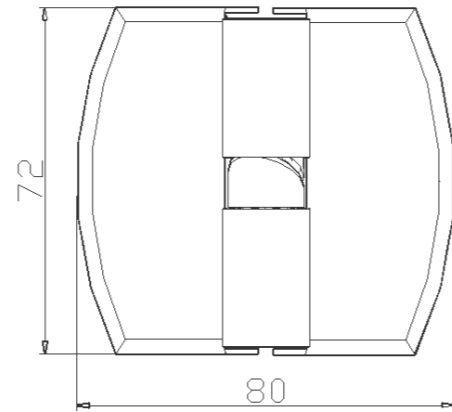
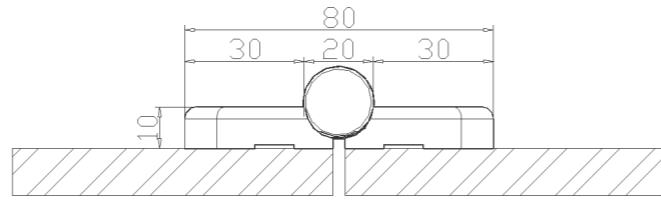
Product Code – SR03M012



- The flat (single face) style door systems category includes this product.
- There is graded ABS plastic for closing (panel rebated) door systems that allows the doors to close automatically.
- metal pieces will be composed of anodized aluminum.
- They're compatible with both 12 mm and 18 mm HPL pannels.
- The panel connectors will be secured with four screws.
- The hinge covers won't have any visible wings.
- With the door 10 mm away from the panels.
- the interior of the cubicle will be obscured by th 25mm that the door will press.
- Except for technical service employees, there will be a safety screw to prevent anybody form lifting and removing the door.
- The hinges will be adjusted based on the center of gravity, and the door will automatically close.



0,164 kg



Details are where creativity lies.

The doors are equipped with an ABS system and a security screw that allows them to automatically close.





Lock

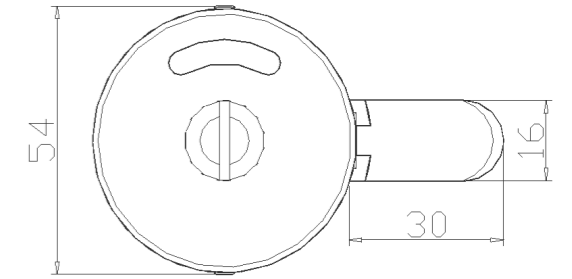
Product Code - SR04M012



In the details lies security.

The exterior cover has an on/off indication. For emergency interventions, there is a handle inside that may be opened with any pointed item from the outside.

- For doors that open outward, the lock is fastened to the door; for doors that open inward, it is fastened to the fixed panel.
- They're compatible with both 12 mm and 18 mm HPL panels.
- It has a latch and dial mechanism.
- It has a matte anodized aluminum profile latch, twisted body, and arm..
- For emergency interventions, there is a handle inside that may be opened with any pointed item from the outside.
- It has a latch and dial, and with the colored mechanism (red green) on it, it displays from the outside whether the door is busy or not.
- it is interfered from the outside in case of an emergency.



 0,164kg


Certificate Certificate
CE ISO 9001:2015





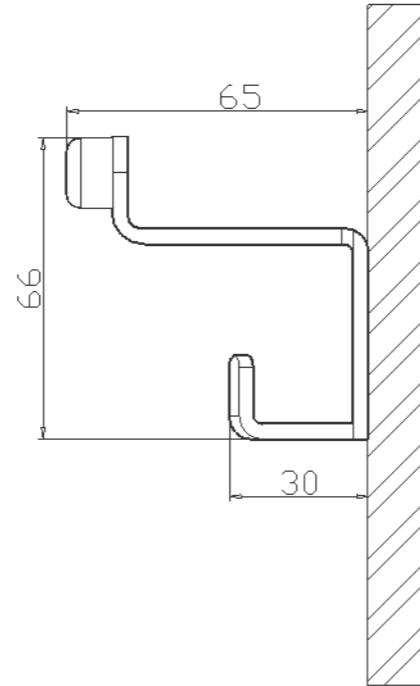
Hanger

Product Code - SR07M012

- It is made of anodized aluminum double hook.
- This ergonomic product is 35 mm in width and 55 mm in height.
- Aluminum was used in the manufacturing of this product.
- It is corrosion-free within the guarantee term.
- Water and humidity resistant.
- Plastic material is added at the product's end to serve as a stopper and prevent impacts.
- It is capable of transporting up to 10 kilograms.



0,24 kg



Our difference hidden in the details.

The hangers will be held together by YHB 4.2 x 11 mm thick threaded 304 stainless screws.

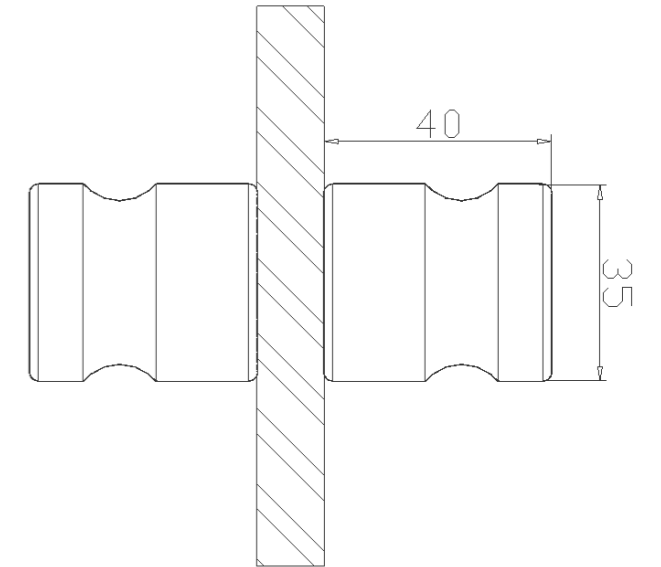
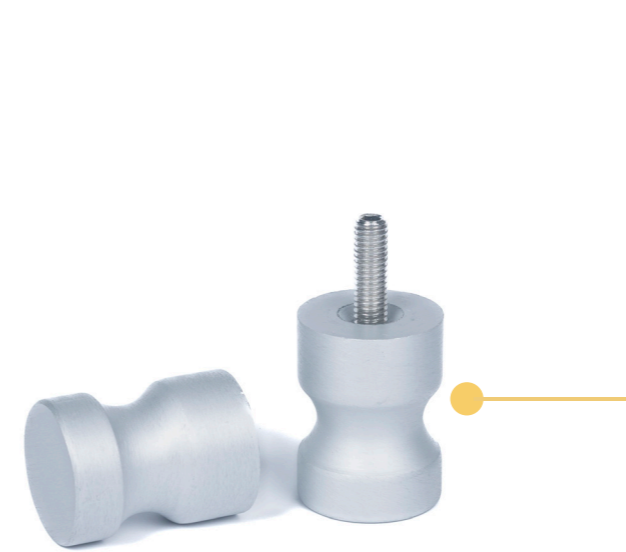


Grip

Product Code - SR08M012



- It is 25 mm in diameter, and 32 mm in length
- It has an M8x35 grub screw connection
- It is not affected by water, humidity and corrosion.
- Its warranty is covered by SANDER's guarantee.



Details are important for sound isolation.

When the doors are closed, special filaments (epdm type) will be positioned to stop the panels from slamming into one another, isolating unwelcome noises.





Model Orion Line



Leg

Product Code - S001P012



NOT AFFECTED BY WATER



CORROSION RESISTANT

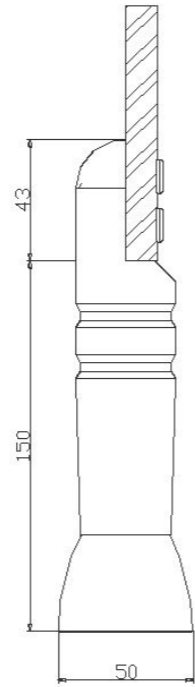


GLOSSY ANODIZED ALUMINUM COATING

- The size range is 150-200 mm.
- They're compatible with both 12 mm and 18 mm HPL pannels.
- This accessory's adjustable height ranges from 150mm to 200mm.
- In wet and humid living areas, this unique product aids in adapting to any sloping surface.
- Antibakteriyel plastik zemin bağlantılıdır.
- The body is made of glossy anodized aluminum.
- It has a carrying capacity of 70 kg.
- This unique item has an oval upper portion with a diameter of 38 mm.
- The product has a PA6 plastic screwed with a 52 mm diameter.
- Two head screws hold the plate in place.
- Special support shoes connected to a single point with 5x40 YHB screws secure the leg's sole to the ground.
- The antibacterial plastic is linked to the floor.



0,422 kg



In the details lies aesthetics.

Installation of the device allows for +20 mm of freedom of movement to modify the floor's squareness.





Leg

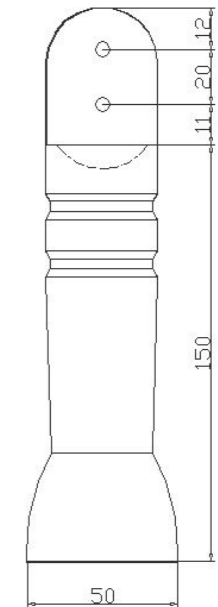
Product Code - S002P012



- The size range is 100-150 mm.
- They're compatible with both 12 mm and 18 mm HPL pannels.
- This accessory's adjustable height ranges from 100mm to 150mm.
- In wet and humid living areas, this unique product aids in adapting to any sloping surface.
- Antibakteriyel plastik zemin bağlantılıdır.
- The body is made of glossy anodized aluminum.
- It has a carrying capacity of 70 kg.
- This unique item has an oval upper portion with a diameter of 38 mm.
- The product has a PA6 plastic screwed with a 52 mm diameter.
- Two head screws hold the plate in place.
- Special support shoes connected to a single point with 5x40 YHB screws secure the leg's sole to the ground.
- The antibacterial plastic is linked to the floor.



0,256 kg





Hinge

Product Code - S003P012



NOT AFFECTED BY
WATER



CORROSION
RESISTANT

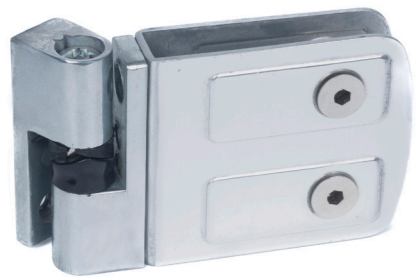
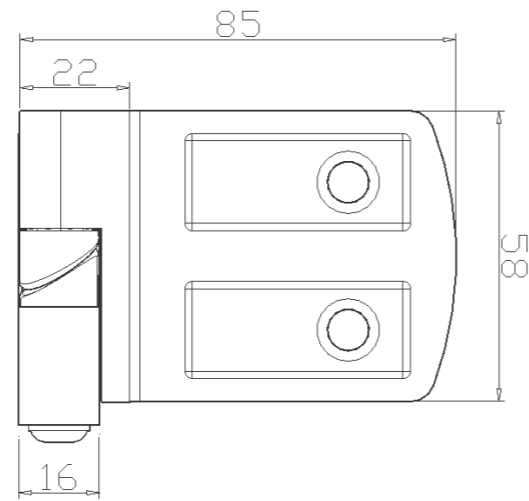


GLOSSY ANODIZED
ALUMINUM COATING

- This product belongs to the category of closed (panel overlap) style door systems.
- There is graded ABS plastic for closing (panel rebated) door systems that allows the doors to close automatically.
- Metal pieces will be composed of glossy anodized aluminum.
- They're compatible with both 12 mm and 18 mm HPL panels.
- A single screw will be used against the door in such a manner that the compact laminate material and panel connectors overlap by 25mm on both sides.
- The screws will be visible on the hinge and will be used to wrap the compact laminate material on both sides
- With the door 10 mm away from the panels.
- the interior of the cubicle will be obscured by th 25mm that the door will press.
- Except for technical service employees, there will be a safety screw to prevent anybody form lifting and removing the door.



0,164 kg



Detail-oriented comfort is key.

The doors are equipped with an ABS system and a security screw that allows them to automatically close.



Lock

Product Code - S005P012



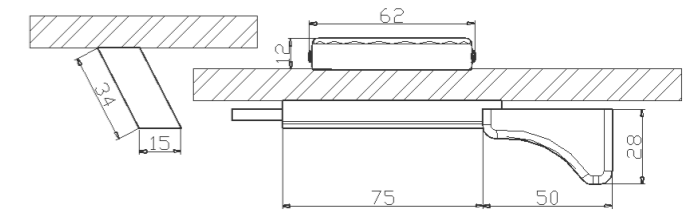
In the details lies safety.

On the outside of the lid, there is an on/off indicator. For emergency interventions, it features a handle inside that can be opened with any pointed object from the outside.

- For both inward and outward opening doors, the lock is positioned on the door.
- They're compatible with both 12 mm and 18 mm HPL pannels.
- It has a mechanism for sliding.
- Sliding is used for locking.
- It locks using the bolt mechanism and offers safety by preventing the lock arm from closing on its own.
- A perfect closing is made possible by switching out the counter equipment in lamp (one-sided) systems.
- The sliding system is made of glossy anodized aluminum profile, and the handle is made of PA6 plastic.
- If the cabinet is full is shown by the colored mechanism (red-green) on it.
- Outside intervention is possible in an emergency.



 0,174kg





Hanger

Product Code - S008P012

- The aluminum glossy anodized single hook is 55 mm tall and 35 mm wide.
- Aluminum was used in the manufacturing of this product.
- It is corrosion-free within the guarantee term.
- Water and humidity resistant.
- It contains a plastic stopper at the tip that functions as a stopper and softens impacts.
- It is capable of transporting up to 10 kilograms.



NOT AFFECTED BY
WATER



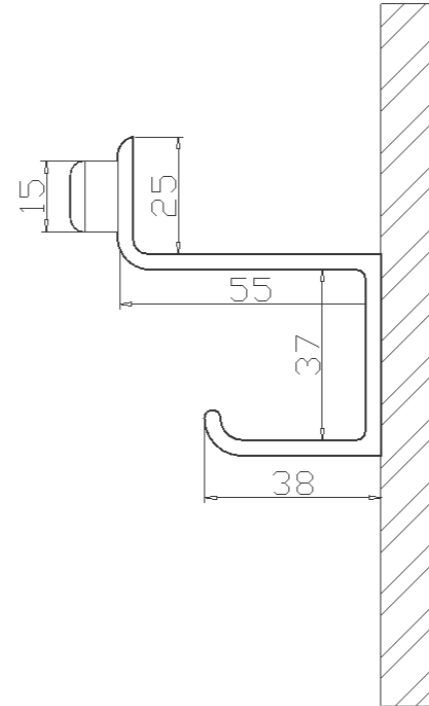
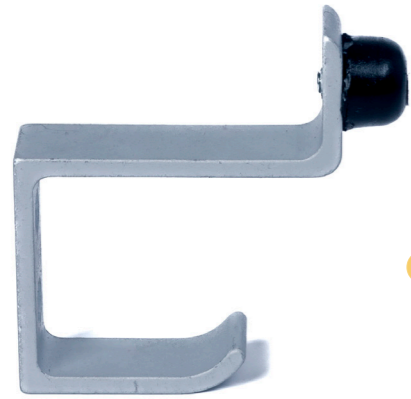
CORROSION
RESISTANT



GLOSSY ANODIZED
ALUMINUM COATING



0,025 kg



Our difference hidden in the details.

The hangers will be held together by YHB 4.2 x 11 mm thick threaded 304 stainless screws.



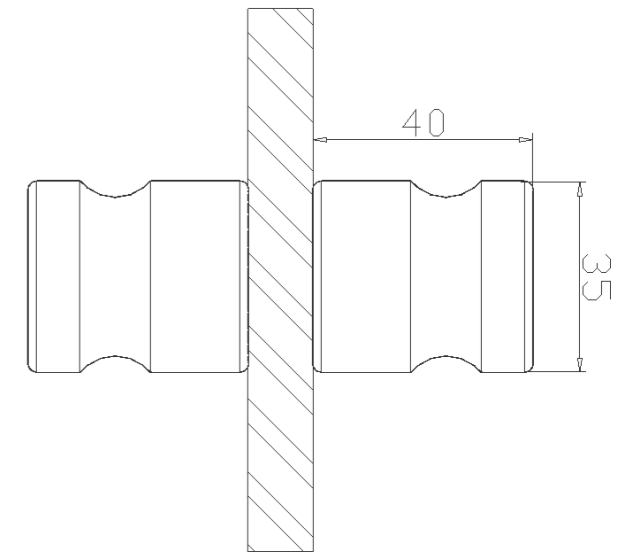
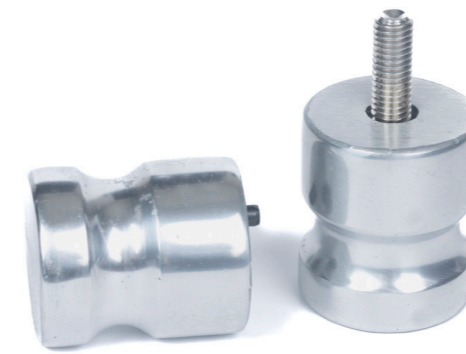
Grip

Product Code - S009P012



- It is produced of glossy anodized aluminum.
- It is 35 mm in diameter, and 40 mm in length.
- It has an M6x35 grub screw connection.
- It is not affected by water, humidity and corrosion.
- Its warranty is covered by SANDER's guarantee.

0,190 kg



Details are important for sound isolation.

When the doors are closed, special filaments (epdm type) will be positioned to stop the panels from slamming into one another, isolating unwelcome noises.





Model Steelline Classic



Leg

Product Code - SS01X012

- The size range is 150–200 mm, with a diameter of 27mm.
- This accessory's adjustable height ranges from 150mm to 200mm.
- It has 52 mm diameter leg cover.
- The material will be protected by a 12.5 mm duct in a compact laminate panel.
- The leg foundation will be secured to the ground using PA6 shoes that are attached with stainless screws at at least three distinct spots.
- They're linked to the anti-bacterial plastic floor at three points.
- They're compatible with both 12 mm and 18 mm HPL pannels.
- It has a carrying capacity of 70 kg.
- Water and humidity resistant.



NOT AFFECTED
BY WATER



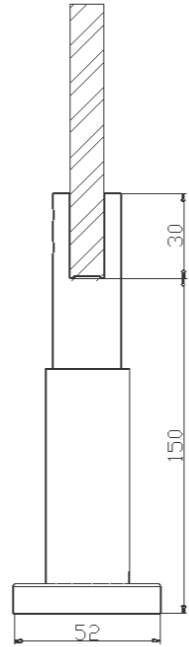
CORROSION
RESISTANT



MATERIAL 304
STAINLESS STEEL
INOX



0,222 kg



Details matter when it comes to quality.

It is appropriate for wet areas in general and has an adjustable height of 150–200 mm. helps you adjust to the surface's slope.





Leg

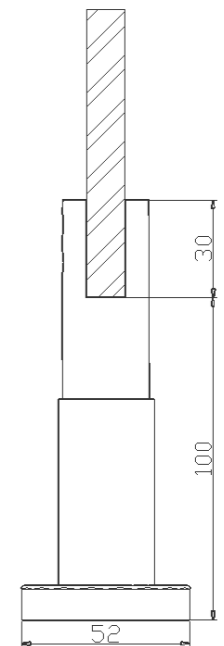
Product Code - SS02X012



- The size range is 100-150 mm, with a diameter of 27mm.
- This accessory's adjustable height ranges from 100mm to 150mm.
- It has 52 mm diameter leg cover.
- The material will be protected by a 12.5 mm duct in a compact laminate panel.
- The leg foundation will be secured to the ground using PA6 shoes that are attached with stainless screws at at least three distinct spots.
- They're linked to the anti-bacterial plastic floor at three points.
- They're compatible with both 12 mm and 18 mm HPL pannels.
- It has a carrying capacity of 70 kg.
- Water and humidity resistant.



0,278 kg





Hinge - Spring

Product Code - SS03X012

- The flat (single face) style door systems category includes this product.
- Metal pieces will be composed of stainless steel.
- They're compatible with both 12 mm and 18 mm HPL pannels.
- The hinge covers won't have any visible wings.
- 90 mm in height and 70 mm in width.
- 18 mm. In the nest, it will function.
- It enables the doors to close on their own.
- It has a mechanism with springs.



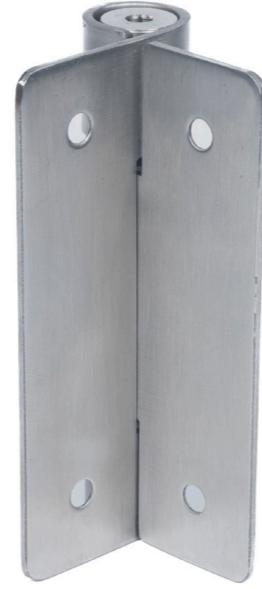
NOT AFFECTED
BY WATER



CORROSION
RESISTANT



MATERIAL 304
STAINLESS STEEL
INOX

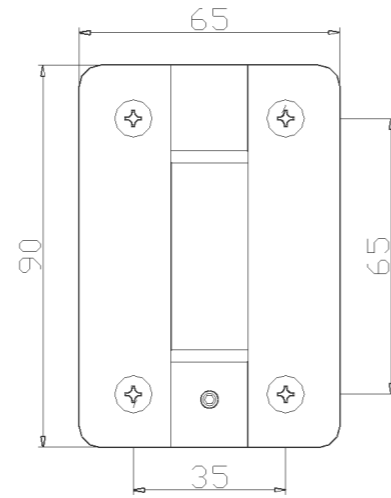
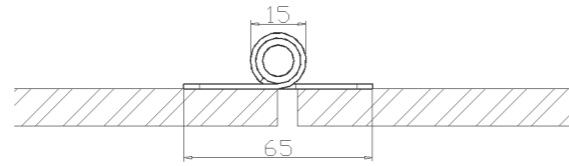


Certificate
CE

Certific.
ISO 9001:2



0,220 kg





Hinge - Springless

Product Code - SS04X012



NOT AFFECTED
BY WATER



CORROSION
RESISTANT



MATERIAL 304
STAINLESS STEEL
INOX

- The flat (single face) style door systems category includes this product.
- Metal pieces will be composed of stainless steel.
- They're compatible with both 12 mm and 18 mm HPL pannels.
- The hinge covers won't have any visible wings.
- 90 mm in height and 70 mm in width.
- 18 mm. In the nest, it will function.
- It enables the doors to close on their own.
- It has a mechanism without springs.



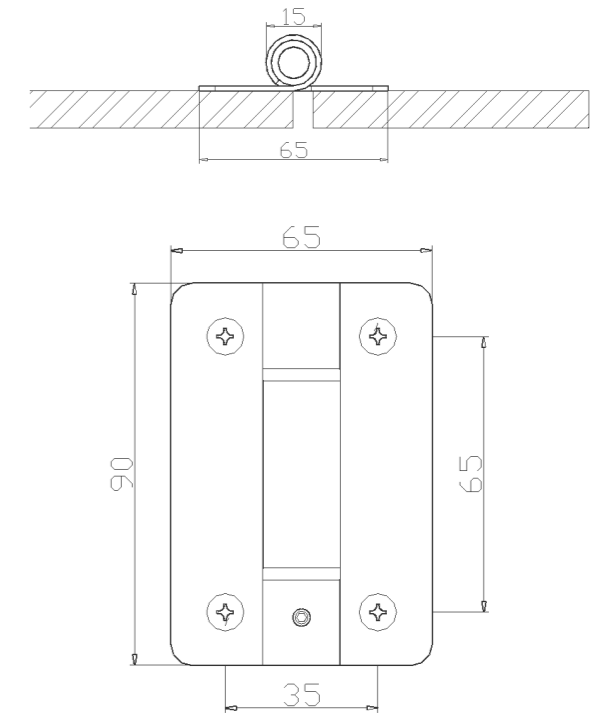
0,236 kg



Certificate



Certificate
ISO 9001:2015



Details matter for comfort.

The hinges to the doors' centers of gravity can be modified appropriately. This method, automated door closure is offered.



Lock

Product Code - SS05X012

- They're compatible with both 12 mm and 18 mm HPL panels.
- It has a latch and dial mechanism.
- It has a 304 quality stainless steel profile latch, twisted body, and arm.
- It uses the latch turning mechanism to lock.
- It has a latch and dial, and with the colored mechanism (red-green) on it, it displays from the outside whether the door is busy or not
- it is interfered from the outside in case of an emergency.



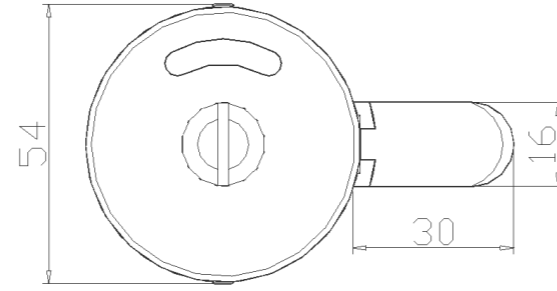
NOT AFFECTED
BY WATER



CORROSION
RESISTANT



MATERIAL 304
STAINLESS STEEL
INOX



0,186 kg



In the details lies security.

The exterior cover has an on/off indication. For emergency interventions, there is a handle inside that may be opened with any pointed item from the outside.



Hanger

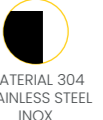
Product Code - SS08X012



NOT AFFECTED
BY WATER

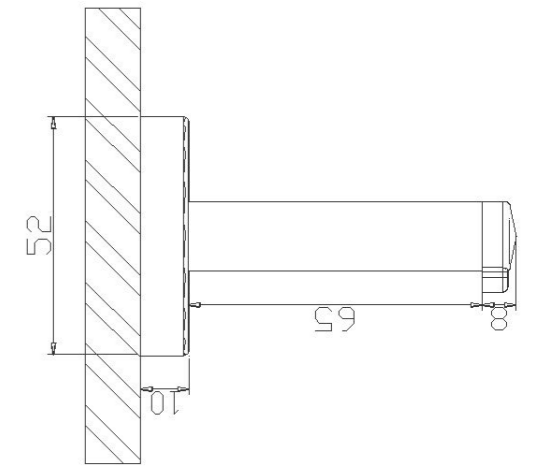
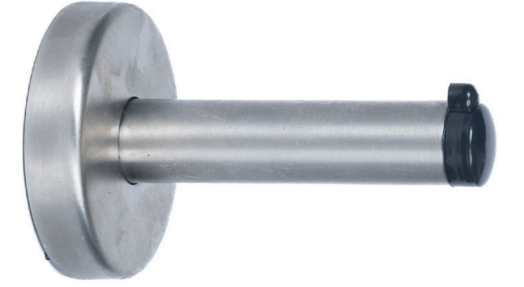


CORROSION
RESISTANT



MATERIAL 304
STAINLESS STEEL
INOX

- It's made of 304 quality stainless steel.
- It is corrosion-free within the guarantee term.
- Water and humidity resistant.
- Plastic material is added at the product's end to serve as a stopper and prevent impacts.
- It is capable of transporting up to 10 kilograms.



Our difference hidden in the details.

The hangers will be held together by YHB 4.2 x 11 mm thick threaded 304 stainless screws.

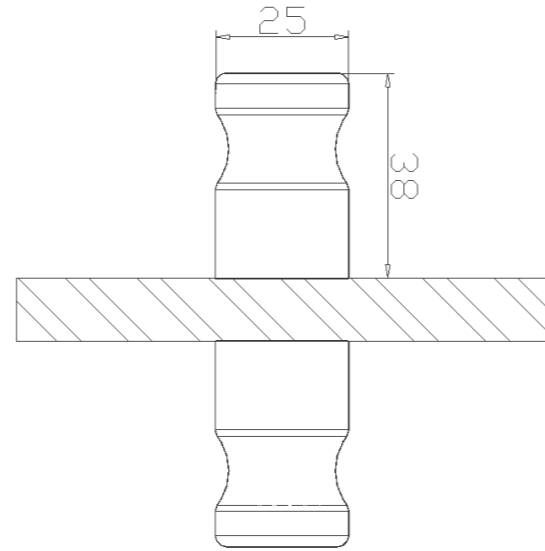


Grip

Product Code - SS09X012

- It is produced of 304 stainless steel.
- It is 35 mm in diameter, and 40 mm in length.
- It has an M8x35 grub screw connection.
- It is not affected by water, humidity and corrosion.
- Its warranty is covered by SANDER's guarantee.

0,256 kg



Aesthetic is in the details.

Details conceal double-sided use. In order for the doors to open and close practically, this substance is applied on both sides.



Model Steelline Bini



Leg

Product Code - SS01X012

- The size range is 150–200 mm, with a diameter of 27mm.
- This accessory's adjustable height ranges from 150mm to 200mm.
- It has 52 mm diameter leg cover.
- The material will be protected by a 12.5 mm duct in a compact laminate panel.
- The leg foundation will be secured to the ground using PA6 shoes that are attached with stainless screws at at least three distinct spots.
- They're linked to the anti-bacterial plastic floor at three points.
- They're compatible with both 12 mm and 18 mm HPL pannels.
- It has a carrying capacity of 70 kg.
- Water and humidity resistant.



NOT AFFECTED
BY WATER



CORROSION
RESISTANT



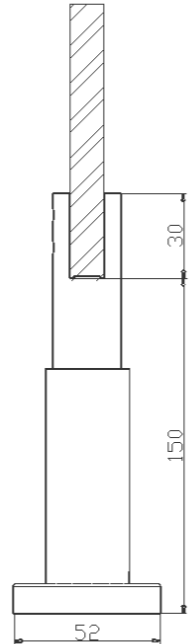
MATERIAL 304
STAINLESS STEEL
INOX



0,222 kg



Certificate Certificate
CE ISO 9001:2015



Details matter when it comes to quality.

It is appropriate for wet areas in general and has an adjustable height of 150–200 mm. helps you adjust to the surface's slope.





Leg

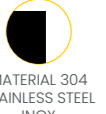
Product Code - SS02X012



NOT AFFECTED BY WATER



CORROSION RESISTANT



MATERIAL 304 STAINLESS STEEL INOX

- The size range is 100-150 mm, with a diameter of 27mm.
- This accessory's adjustable height ranges from 100mm to 150mm.
- It has 52 mm diameter leg cover.
- The material will be protected by a 12.5 mm duct in a compact laminate panel.
- The leg foundation will be secured to the ground using PA6 shoes that are attached with stainless screws at at least three distinct spots.
- They're linked to the anti-bacterial plastic floor at three points.
- They're compatible with both 12 mm and 18 mm HPL pannels.
- It has a carrying capacity of 70 kg.
- Water and humidity resistant.



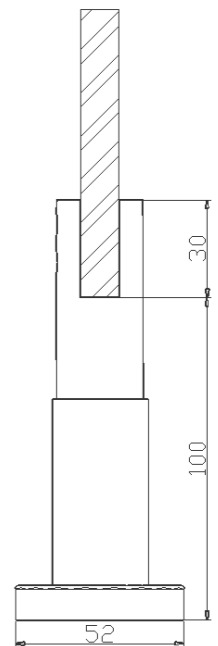
0,278 kg



Certificate
CE



Certificate
ISO 9001:2015





Hinge- Spring

Product Code - SS03X012

- The flat (single face) style door systems category includes this product.
- Metal pieces will be composed of stainless steel.
- They're compatible with both 12 mm and 18 mm HPL pannels.
- The hinge covers won't have any visible wings.
- 90 mm in height and 70 mm in width.
- 18 mm. In the nest, it will function.
- It enables the doors to close on their own.
- It has a mechanism with springs.



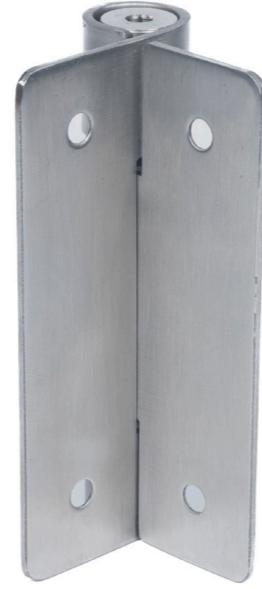
NOT AFFECTED
BY WATER



CORROSION
RESISTANT



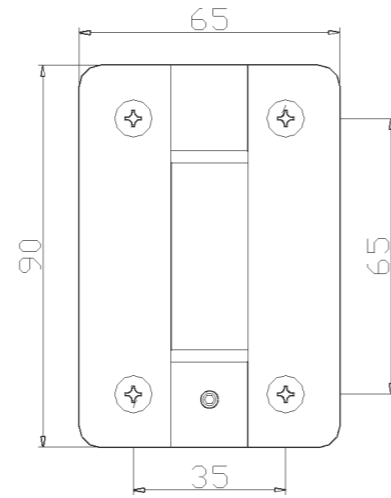
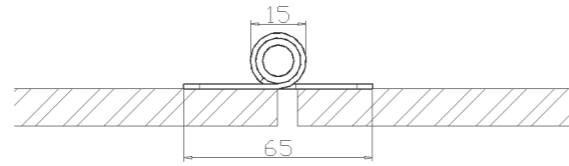
MATERIAL 304
STAINLESS STEEL
INOX



Certificate
CE

Certificate
ISO 9001:2015

0,220 kg





Hinge Springless

Product Code - SS04X012



NOT AFFECTED
BY WATER



CORROSION
RESISTANT



MATERIAL 304
STAINLESS STEEL
INOX

- The flat (single face) style door systems category includes this product.
- Metal pieces will be composed of stainless steel.
- They're compatible with both 12 mm and 18 mm HPL pannels.
- The hinge covers won't have any visible wings.
- 90 mm in height and 70 mm in width.
- 18 mm. In the nest, it will function.
- It enables the doors to close on their own.
- It has a mechanism without springs.



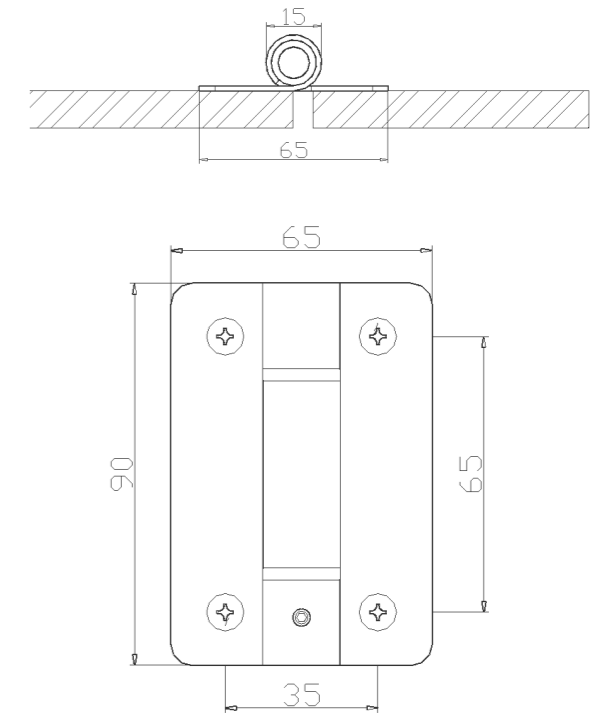
0,236 kg



Certificate
CE



Certificate
ISO 9001:2015



Details matter for comfort.

The hinges to the doors' centers of gravity can be modified appropriately. This method, automated door closure is offered.



Lock

Product Code - SS05X012

- They're compatible with both 12 mm and 18 mm HPL pannels.
- It has a latch and dial mechanism.
- It has a 304 quality stainless steel profile latch, twisted body, and arm.
- It uses the latch turning mechanism to lock.
- It has a latch and dial, and with the colored mechanism (red-green) on it, it displays from the outside whether the door is busy or not
- it is interfered from the outside in case of an emergency.



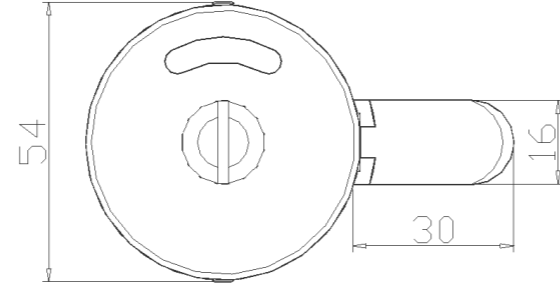
NOT AFFECTED
BY WATER



CORROSION
RESISTANT



MATERIAL 304
STAINLESS STEEL
INOX



0,186 kg



In the details lies security.

The exterior cover has an on/off indication. For emergency interventions, there is a handle inside that may be opened with any pointed item from the outside.



Hanger

Product Code - SS08X012



NOT AFFECTED
BY WATER

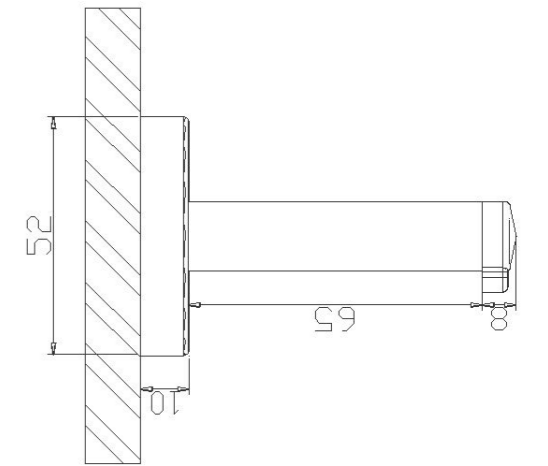


CORROSION
RESISTANT



MATERIAL 304
STAINLESS STEEL
INOX

- It's made of 304 quality stainless steel.
- It is corrosion-free within the guarantee term.
- Water and humidity resistant.
- Plastic material is added at the product's end to serve as a stopper and prevent impacts.
- It is capable of transporting up to 10 kilograms.



Our difference hidden in the details.

The hangers will be held together by YHB 4.2 x 11 mm thick threaded 304 stainless screws.

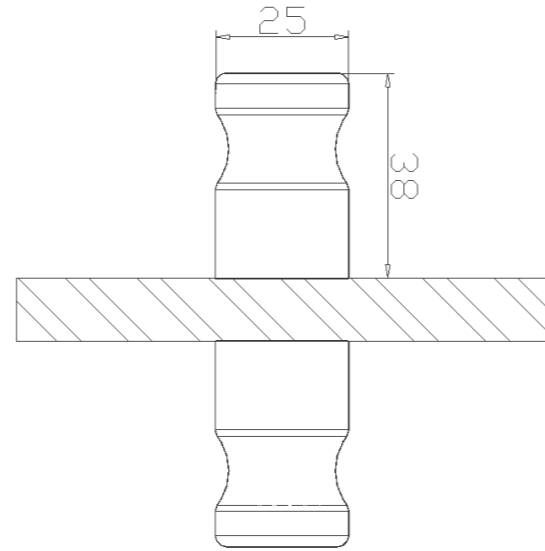


Grip

Product Code - SS09X012

- It is produced of 304 stainless steel.
- It is 35 mm in diameter, and 40 mm in length.
- It has an M8x35 grub screw connection.
- It is not affected by water, humidity and corrosion.
- Its warranty is covered by SANDER's guarantee.

0,256 kg



Details conceal double-sided use.

In order for the doors to open and close practically, this substance is applied on both sides.



Model Steelline Lux



Leg

Product Code - SS01X012

- The size range is 150–200 mm, with a diameter of 27mm.
- This accessory's adjustable height ranges from 150mm to 200mm.
- It has 52 mm diameter leg cover.
- The material will be protected by a 12.5 mm duct in a compact laminate panel.
- The leg foundation will be secured to the ground using PA6 shoes that are attached with stainless screws at at least three distinct spots.
- They're linked to the anti-bacterial plastic floor at three points.
- They're compatible with both 12 mm and 18 mm HPL pannels.
- It has a carrying capacity of 70 kg.
- Water and humidity resistant.



NOT AFFECTED
BY WATER



CORROSION
RESISTANT

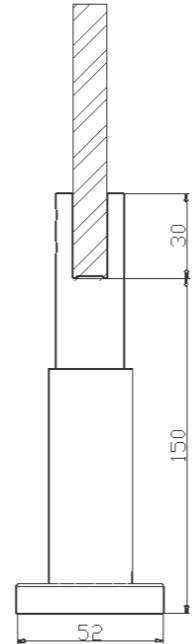


MATERIAL 304
STAINLESS STEEL
INOX



Certificate Certificate
CE ISO 9001:2015

0,222 kg



Details matter when it comes to quality.

It is appropriate for wet areas in general and has an adjustable height of 150–200 mm. helps you adjust to the surface's slope.





Leg

Product Code - SS02X012

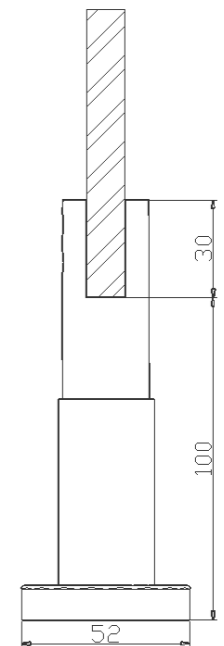


- The size range is 100-150 mm, with a diameter of 27mm.
- This accessory's adjustable height ranges from 100mm to 150mm.
- It has 52 mm diameter leg cover.
- The material will be protected by a 12.5 mm duct in a compact laminate panel.
- The leg foundation will be secured to the ground using PA6 shoes that are attached with stainless screws at at least three distinct spots.
- They're linked to the anti-bacterial plastic floor at three points.
- They're compatible with both 12 mm and 18 mm HPL pannels.
- It has a carrying capacity of 70 kg.
- Water and humidity resistant.



0,278 kg

Certificate
CE
 Certificate
ISO 9001:2015





Hinge - Spring

Product Code - SS03X012

- The flat (single face) style door systems category includes this product.
- Metal pieces will be composed of stainless steel.
- They're compatible with both 12 mm and 18 mm HPL pannels.
- The hinge covers won't have any visible wings.
- 90 mm in height and 70 mm in width.
- 18 mm. In the nest, it will function.
- It enables the doors to close on their own.
- It has a mechanism with springs.



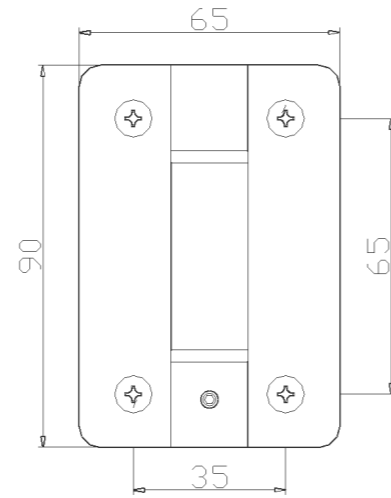
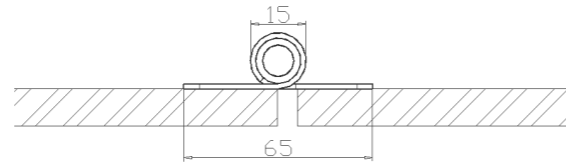
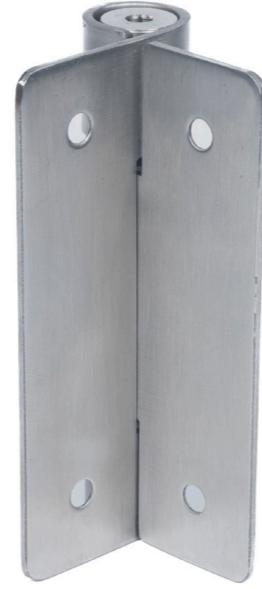
NOT AFFECTED
BY WATER



CORROSION
RESISTANT



MATERIAL 304
STAINLESS STEEL
INOX



0,220 kg





Hinge - Springless

Product Code - SS04X012



NOT AFFECTED
BY WATER



CORROSION
RESISTANT



MATERIAL 304
STAINLESS STEEL
INOX

- The flat (single face) style door systems category includes this product.
- Metal pieces will be composed of stainless steel.
- They're compatible with both 12 mm and 18 mm HPL pannels.
- The hinge covers won't have any visible wings.
- 90 mm in height and 70 mm in width.
- 18 mm. In the nest, it will function.
- It enables the doors to close on their own.
- It has a mechanism without springs.



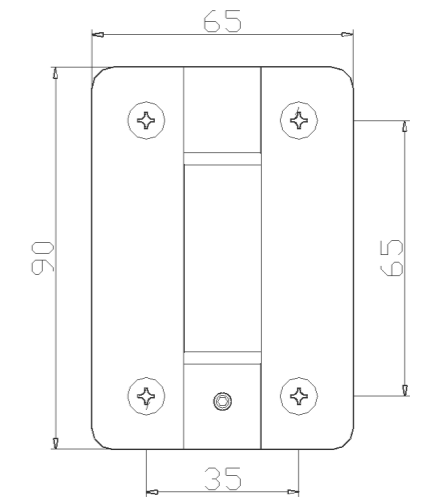
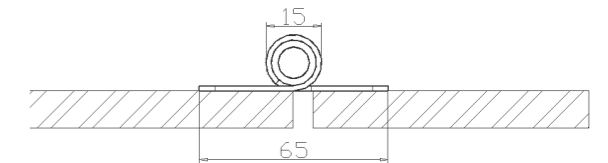
0,236 kg



Certificate
CE



Certificate
ISO 9001:2015



Details matter for comfort.

The hinges to the doors' centers of gravity can be modified appropriately. This method, automated door closure is offered.



Lock

Product Code - SS05X012

- They're compatible with both 12 mm and 18 mm HPL pannels.
- It has a latch and dial mechanism.
- It has a 304 quality stainless steel profile latch, twisted body, and arm.
- It uses the latch turning mechanism to lock.
- It has a latch and dial, and with the colored mechanism (red-green) on it, it displays from the outside whether the door is busy or not
- it is interfered from the outside in case of an emergency.



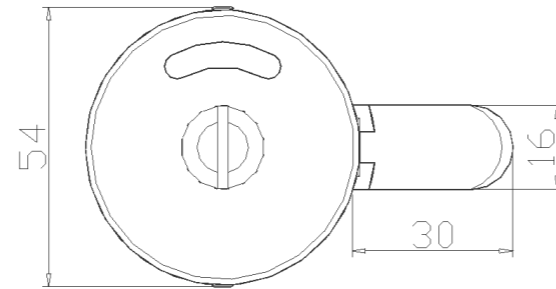
NOT AFFECTED
BY WATER



CORROSION
RESISTANT



MATERIAL 304
STAINLESS STEEL
INOX



0,186 kg



In the details lies security.

The exterior cover has an on/off indication. For emergency interventions, there is a handle inside that may be opened with any pointed item from the outside.



Hanger

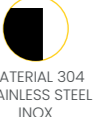
Product Code - SS08X012



NOT AFFECTED BY WATER

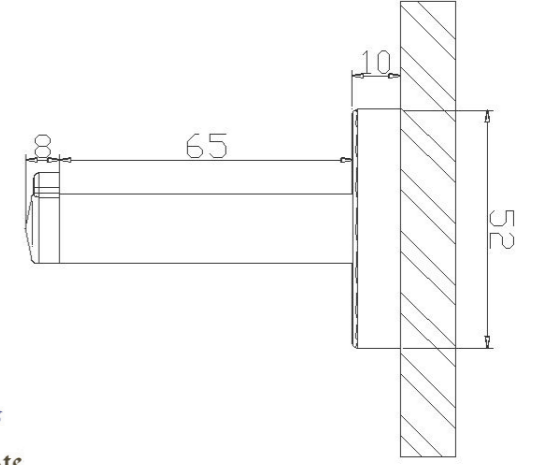


CORROSION RESISTANT



MATERIAL 304 STAINLESS STEEL INOX

- It's made of 304 quality stainless steel.
- It is corrosion-free within the guarantee term.
- Water and humidity resistant.
- Plastic material is added at the product's end to serve as a stopper and prevent impacts.
- It is capable of transporting up to 10 kilograms.

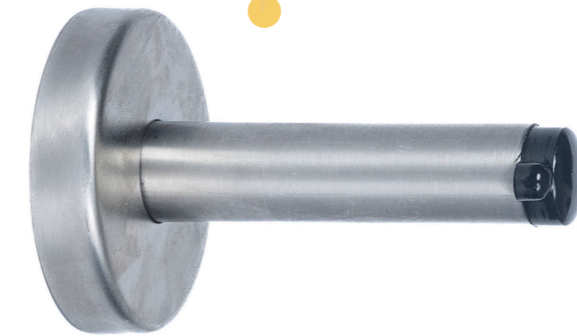


0,68 kg



Certificate
CE

Certificate
ISO 9001:2015



Our difference hidden in the details.

The hangers will be held together by YHB 4.2 x 11 mm thick threaded 304 stainless screws.



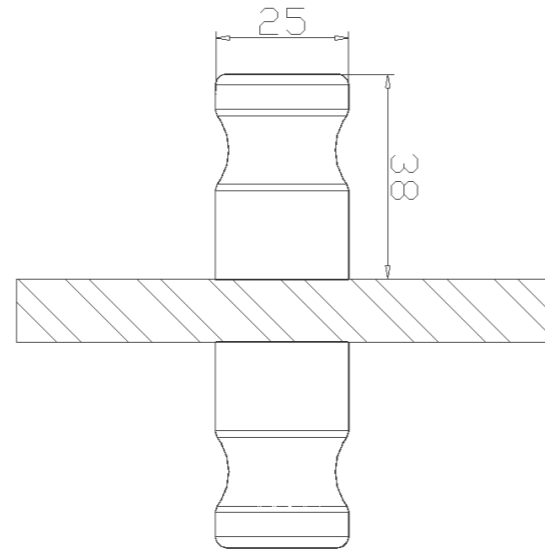
Grip

Product Code - SS09X012

- It is produced of 304 stainless steel.
- It is 35 mm in diameter, and 40 mm in length.
- It has an M8x35 grub screw connection.
- It is not affected by water, humidity and corrosion.
- Its warranty is covered by SANDER's guarantee.



0,256 kg



Aesthetic is in the details.

Details conceal double-sided use. In order for the doors to open and close practically, this substance is applied on both sides.



Top Pannel Connection

Product Code - SS10X012

- It is the original top panel connection accessory.
- It serves to keep the panels from wobbling when connected.
- The product form is T-shaped and has a diameter of 27 mm.
- Made of stainless steel of the 304 grade.
- Dowels suited for the type of wall are chosen while applying the product.
- Top connector with a 4.2x11 mm coarse thread made of 304
- Using high-quality stainless steel screws, it is secured.

Details hold strength.

It increases the cabinet's durability by grabbing the compact laminate panels from the top. Iking for this product's aesthetics, which emphasize the view.



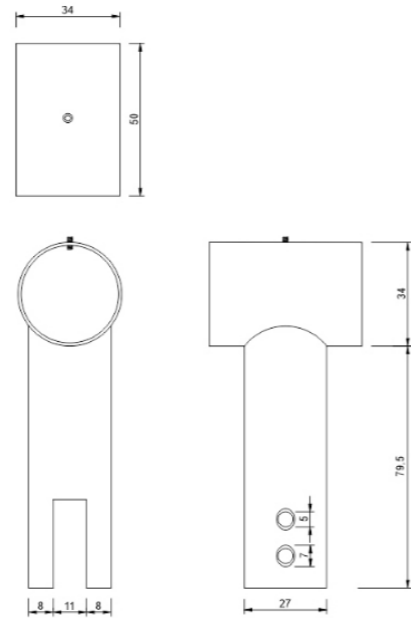
NOT AFFECTED BY WATER



CORROSION RESISTANT



MATERIAL 304 STAINLESS STEEL INOX



Wall Connection

Product Code - SS11X012

- This product is used to install the original top panel connecting pipe to the wall.
- Top panel fixed holder made of 304 quality stalline stainless steel.
- They're compatible with both 12 mm and 18 mm HPL panels.

Details determine sturdiness.

It is secured to the ground using stainless screws at a minimum of three separate locations on the wall (with attached PA6 lugs).



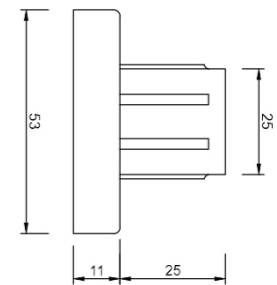
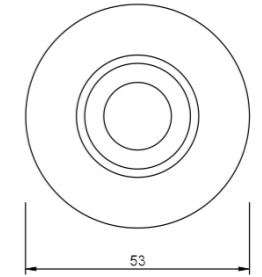
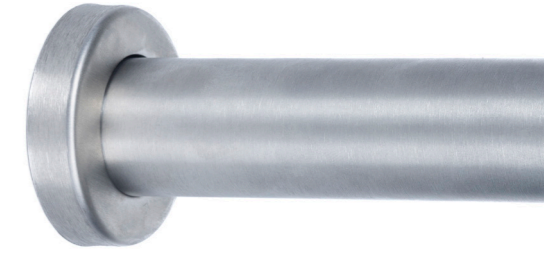
NOT AFFECTED BY WATER



CORROSION RESISTANT



MATERIAL 304 STAINLESS STEEL INOX





90° Adapter

Product Code - SS13012X

- It has a 'L' form and a 32 mm diameter.
- It serves a purpose in connecting the wall and partition panels.
- This item is constructed of 304 stainless steel.
- It is linked to the top panel pipe in corner turn cabinets with two M4*8 grub screws.



NOT AFFECTED
BY WATER



CORROSION
RESISTANT



MATERIAL 304
STAINLESS STEEL
INOX



Certificate
CE

Certificate
ISO 9001:2015



Longevity is found in the details.

It is an inox profile used to connect the panels to the wall and other panels.



Details hold strength.

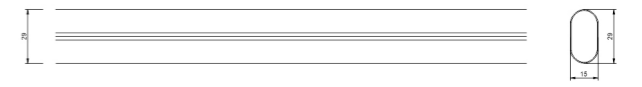
It increases the cabinet's durability by grabbing the compact laminate panels from the top. I like for this product's aesthetics, which emphasize the view.



Top Pannel Connection Bracket

Product Code - SS17X012

- Top header connection.
- It serves to keep the panels from wobbling when connected.
- The product form is pipe and has a diameter of 27 mm.
- Made of stainless steel of the 304 grade.
- When using the product, it is connected to the wall connection equipment and affixed to the wall.
- Top connector with a 4.2x11 mm coarse thread made of 304.
- Using high-quality stainless steel screws, it is secured.





Model Steelline Delux



Leg

Product Code - SS01X012

- The size range is 150–200 mm, with a diameter of 27mm.
- This accessory's adjustable height ranges from 150mm to 200mm.
- It has 52 mm diameter leg cover.
- The material will be protected by a 12.5 mm duct in a compact laminate panel.
- The leg foundation will be secured to the ground using PA6 shoes that are attached with stainless screws at at least three distinct spots.
- They're linked to the anti-bacterial plastic floor at three points.
- They're compatible with both 12 mm and 18 mm HPL pannels.
- It has a carrying capacity of 70 kg.
- Water and humidity resistant.



NOT AFFECTED
BY WATER



CORROSION
RESISTANT

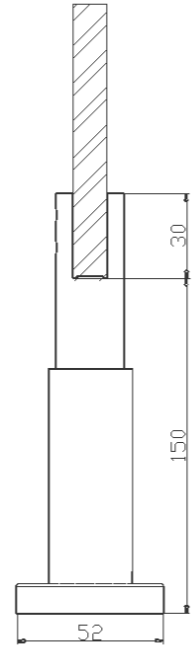


MATERIAL 304
STAINLESS STEEL
INOX



Certificate Certificate
CE ISO 9001:2015

0,222 kg



Details matter when it comes to quality.

It is appropriate for wet areas in general and has an adjustable height of 150–200 mm. helps you adjust to the surface's slope.

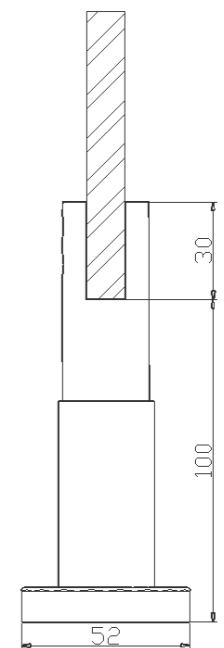


Leg

Product Code - SS02X012



- The size range is 100-150 mm, with a diameter of 27mm.
- This accessory's adjustable height ranges from 100mm to 150mm.
- It has 52 mm diameter leg cover.
- The material will be protected by a 12.5 mm duct in a compact laminate panel.
- The leg foundation will be secured to the ground using PA6 shoes that are attached with stainless screws at at least three distinct spots.
- They're linked to the anti-bacterial plastic floor at three points.
- They're compatible with both 12 mm and 18 mm HPL pannels.
- It has a carrying capacity of 70 kg.
- Water and humidity resistant.





Hinge - Spring

Product Code - SS03X012

- The flat (single face) style door systems category includes this product.
- Metal pieces will be composed of stainless steel.
- They're compatible with both 12 mm and 18 mm HPL pannels.
- The hinge covers won't have any visible wings.
- 90 mm in height and 70 mm in width.
- 18 mm. In the nest, it will function.
- It enables the doors to close on their own.
- It has a mechanism with springs.



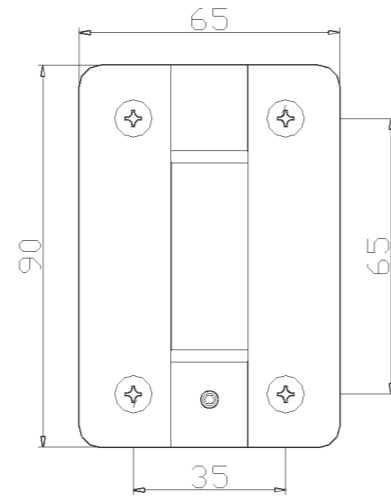
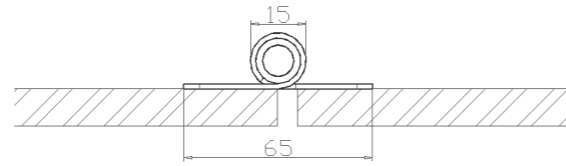
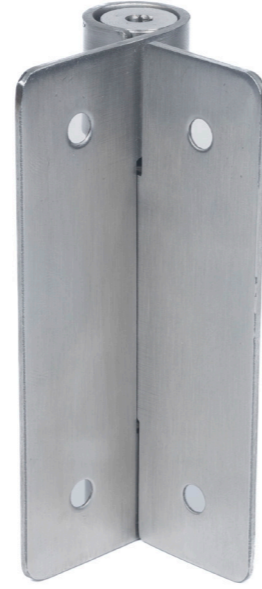
NOT AFFECTED
BY WATER



CORROSION
RESISTANT



MATERIAL 304
STAINLESS STEEL
INOX



0,220 kg





Hinge - Springless

Product Code - SS04X012



NOT AFFECTED
BY WATER



CORROSION
RESISTANT



MATERIAL 304
STAINLESS STEEL
INOX

- The flat (single face) style door systems category includes this product.
- Metal pieces will be composed of stainless steel.
- They're compatible with both 12 mm and 18 mm HPL pannels.
- The hinge covers won't have any visible wings.
- 90 mm in height and 70 mm in width.
- 18 mm. In the nest, it will function.
- It enables the doors to close on their own.
- It has a mechanism without springs.



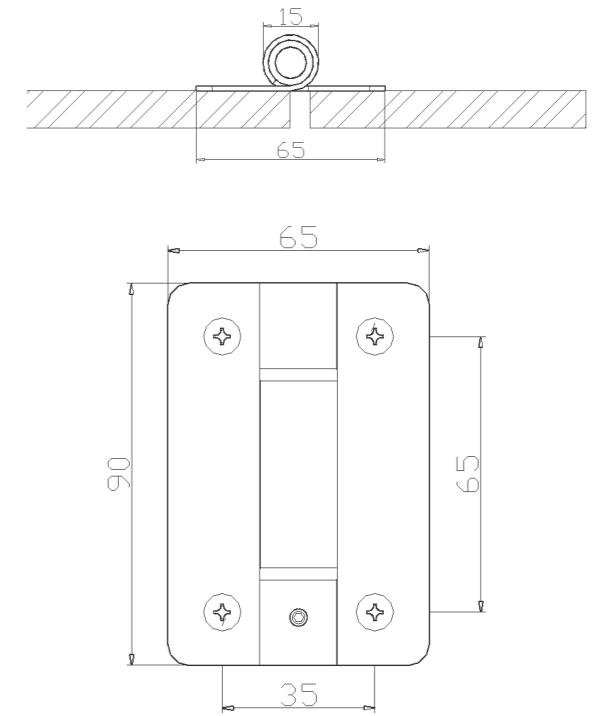
0,236 kg



Certificate
CE



Certificate
ISO 9001:2015



Details matter for comfort.

The hinges to the doors' centers of gravity can be modified appropriately. This method, automated door closure is offered.



Lock

Product Code - SS05X012

- They're compatible with both 12 mm and 18 mm HPL pannels.
- It has a latch and dial mechanism.
- It has a 304 quality stainless steel profile latch, twisted body, and arm.
- It uses the latch turning mechanism to lock.
- It has a latch and dial, and with the colored mechanism (red-green) on it, it displays from the outside whether the door is busy or not
- it is interfered from the outside in case of an emergency.



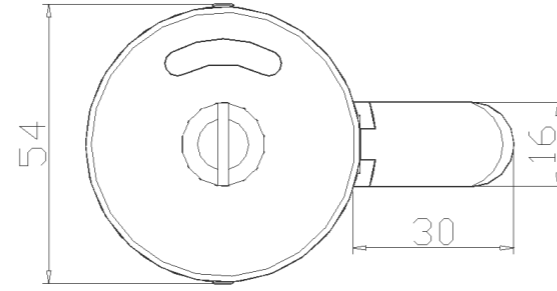
NOT AFFECTED
BY WATER



CORROSION
RESISTANT



MATERIAL 304
STAINLESS STEEL
INOX



0,186 kg



In the details lies security.

The exterior cover has an on/off indication. For emergency interventions, there is a handle inside that may be opened with any pointed item from the outside.



Hanger

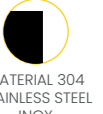
Product Code - SS08X012



NOT AFFECTED BY WATER

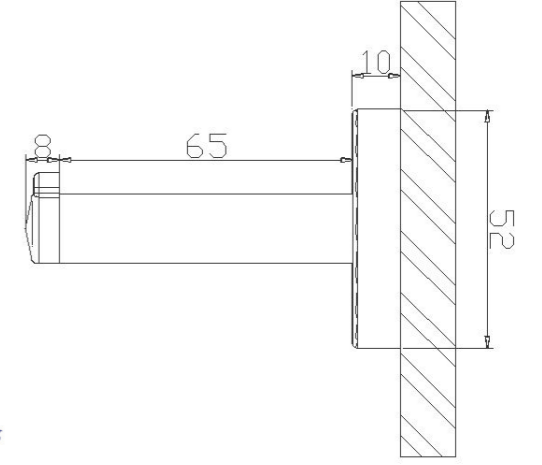


CORROSION RESISTANT



MATERIAL 304 STAINLESS STEEL INOX

- It's made of 304 quality stainless steel.
- It is corrosion-free within the guarantee term.
- Water and humidity resistant.
- Plastic material is added at the product's end to serve as a stopper and prevent impacts.
- It is capable of transporting up to 10 kilograms.



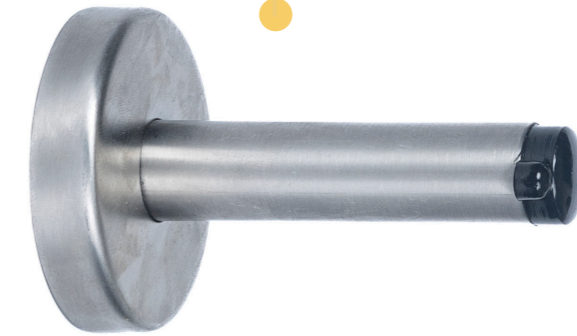
0,68 kg



Certificate
CE



Certificate
ISO 9001:2015



Our difference hidden in the details.

The hangers will be held together by YHB 4.2 x 11 mm thick threaded 304 stainless screws.



Top Pannel Connection

Product Code - SS10X012

- It is the original top panel connection accessory.
- It serves to keep the panels from wobbling when connected.
- The product form is T-shaped and has a diameter of 27 mm.
- Made of stainless steel of the 304 grade.
- Dowels suited for the type of wall are chosen while applying the product.
- Top connector with a 4.2x11 mm coarse thread made of 304
- Using high-quality stainless steel screws, it is secured.

Details hold strength.

It increases the cabinet's durability by grabbing the compact laminate panels from the top. Iking for this product's aesthetics, which emphasize the view.



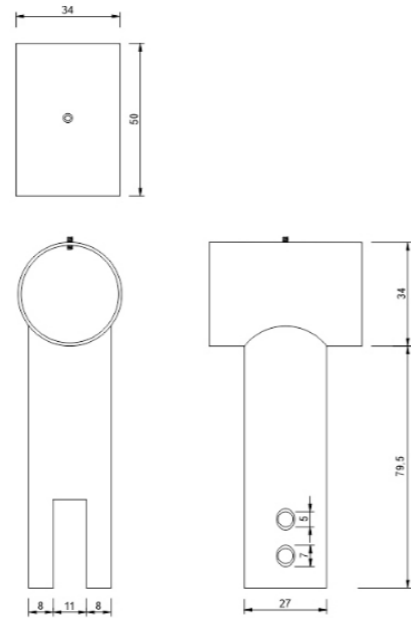
NOT AFFECTED BY WATER



CORROSION RESISTANT



MATERIAL 304 STAINLESS STEEL INOX



Wall Connection

Product Code - SS11X012

- This product is used to install the original top panel connecting pipe to the wall.
- Top panel fixed holder made of 304 quality stainless steel.
- They're compatible with both 12 mm and 18 mm HPL panels.

Details determine sturdiness.

It is secured to the ground using stainless screws at a minimum of three separate locations on the wall (with attached PA6 lugs).



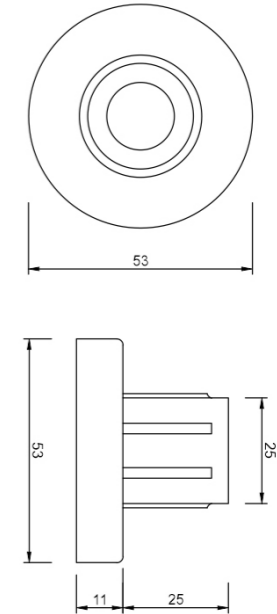
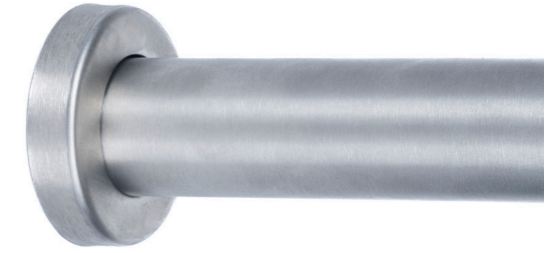
NOT AFFECTED BY WATER



CORROSION RESISTANT



MATERIAL 304 STAINLESS STEEL INOX





Grip

Product Code - SS15X012

- This product series is produced in lengths of 120 cm.
- It's attached to the front of the cabinets.
- It is installed as a single face on the front of the doors.
- On the rear, a standard handle is employed.
- SANDER guarantees that this product may be made in a variety of sizes upon request.



NOT AFFECTED
BY WATER



CORROSION
RESISTANT

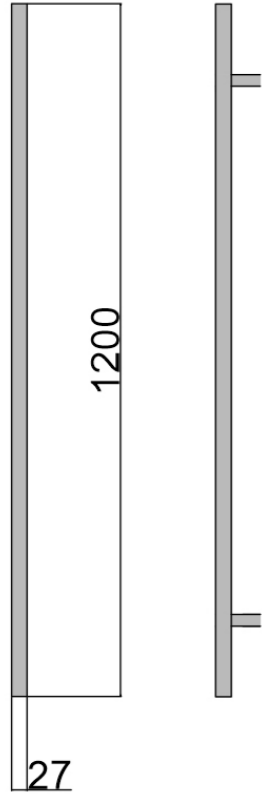


MATERIAL 304
STAINLESS STEEL
INOX



Certificate
CE

Certificate
ISO 9001:2015



Aesthetic is in the details.

Details conceal double-sided use. In order for the doors to open and close practically, this substance is applied on both sides.



90° Adapter

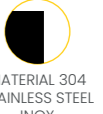
Product Code - SS13012X



NOT AFFECTED
BY WATER



CORROSION
RESISTANT



MATERIAL 304
STAINLESS STEEL
INOX

- It has a 'L' form and a 32 mm diameter.
- It serves a purpose in connecting the wall and partition panels.
- This item is constructed of 304 stainless steel.
- It is linked to the top panel pipe in corner turn cabinets with two M4*8 grub screws.



Longevity is found in the details.

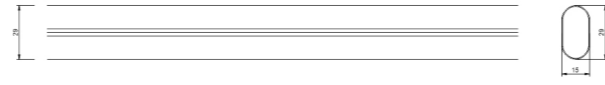
It is an inox profile used to connect the panels to the wall and other panels.



Top Pannel Connection Bracket

Product Code - SS17X012

- Top header connection.
- It serves to keep the panels from wobbling when connected.
- The product form is pipe and has a diameter of 27 mm.
- Made of stainless steel of the 304 grade.
- When using the product, it is connected to the wall connection equipment and affixed to the wall.
- Top connector with a 4.2x11 mm coarse thread made of 304.
- Using high-quality stainless steel screws, it is secured.



300 cm



Details hold strength.

It increases the cabinet's durability by grabbing the compact laminate panels from the top. Iking for this product's aesthetics, which emphasize the view.



Model Exclusive Type 1



Leg

Product Code - SS01X012

- The size range is 150–200 mm, with a diameter of 27mm.
- This accessory's adjustable height ranges from 150mm to 200mm.
- It has 52 mm diameter leg cover.
- The material will be protected by a 12.5 mm duct in a compact laminate panel.
- The leg foundation will be secured to the ground using PA6 shoes that are attached with stainless screws at at least three distinct spots.
- They're linked to the anti-bacterial plastic floor at three points.
- They're compatible with both 12 mm and 18 mm HPL pannels.
- It has a carrying capacity of 70 kg.
- Water and humidity resistant.



NOT AFFECTED
BY WATER



CORROSION
RESISTANT



MATERIAL 304
STAINLESS STEEL
INOX



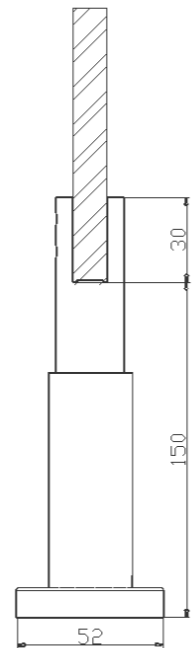
0,222 kg



Certificate
CE



Certificate
ISO 9001:2015



Details matter when it comes to quality.

It is appropriate for wet areas in general and has an adjustable height of 150–200 mm. helps you adjust to the surface's slope.





Leg

Product Code - SS02X012



NOT AFFECTED
BY WATER



CORROSION
RESISTANT

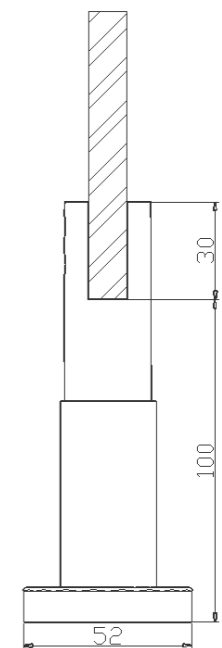


MATERIAL 304
STAINLESS STEEL
INOX

- The size range is 100-150 mm, with a diameter of 27mm.
- This accessory's adjustable height ranges from 100mm to 150mm.
- It has 52 mm diameter leg cover.
- The material will be protected by a 12.5 mm duct in a compact laminate panel.
- The leg foundation will be secured to the ground using PA6 shoes that are attached with stainless screws at at least three distinct spots.
- They're linked to the anti-bacterial plastic floor at three points.
- They're compatible with both 12 mm and 18 mm HPL pannels.
- It has a carrying capacity of 70 kg.
- Water and humidity resistant.



0,278 kg



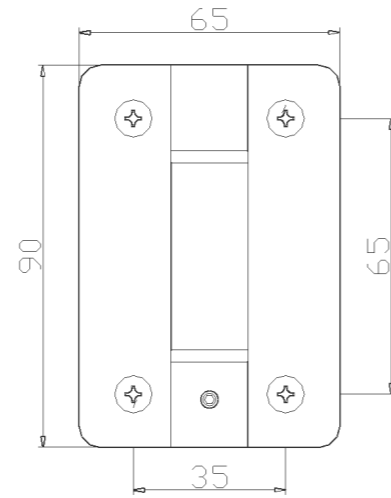
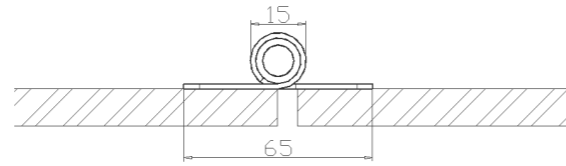
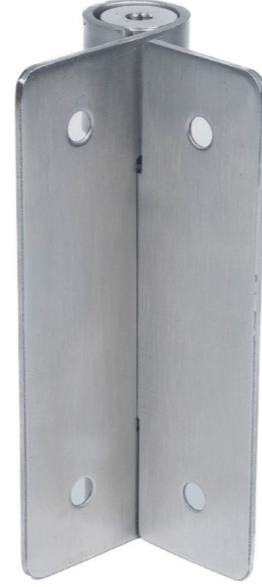


Hinge - Spring

Product Code - SS03X012



- The flat (single face) style door systems category includes this product.
- Metal pieces will be composed of stainless steel.
- They're compatible with both 12 mm and 18 mm HPL pannels.
- The hinge covers won't have any visible wings.
- 90 mm in height and 70 mm in width.
- 18 mm. In the nest, it will function.
- It enables the doors to close on their own.
- It has a mechanism with springs.



0,220 kg





Hinge - Springless

Product Code - SS04X012



NOT AFFECTED
BY WATER



CORROSION
RESISTANT

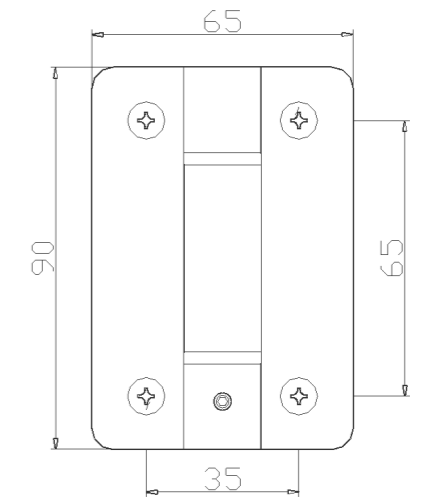
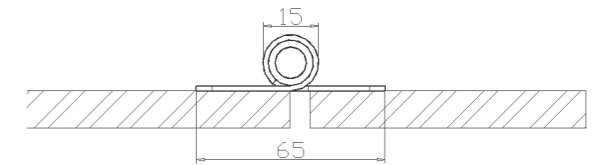


MATERIAL 304
STAINLESS STEEL
INOX

- The flat (single face) style door systems category includes this product.
- Metal pieces will be composed of stainless steel.
- They're compatible with both 12 mm and 18 mm HPL pannels.
- The hinge covers won't have any visible wings.
- 90 mm in height and 70 mm in width.
- 18 mm. In the nest, it will function.
- It enables the doors to close on their own.
- It has a mechanism without springs.



0,236 kg



Details matter for comfort.

The hinges to the doors' centers of gravity can be modified appropriately. This method, automated door closure is offered.

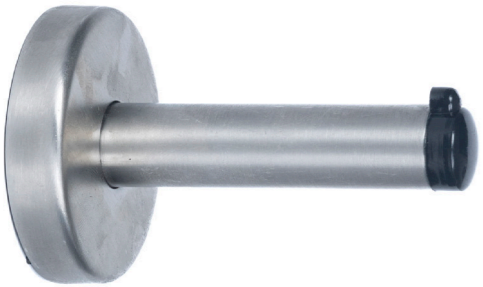
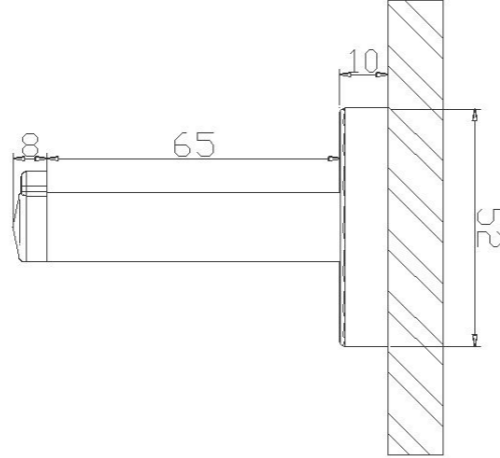


Hanger

Product Code - SS08X012

- It's made of 304 quality stainless steel.
- It is corrosion-free within the guarantee term.
- Water and humidity resistant.
- Plastic material is added at the product's end to serve as a stopper and prevent impacts.
- It is capable of transporting up to 10 kilograms.

0,68 kg



NOT AFFECTED
BY WATER



CORROSION
RESISTANT



MATERIAL 304
STAINLESS STEEL
INOX

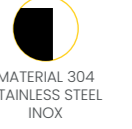
Our difference hidden in the details.

The hangers will be held together by YHB 4.2 x 11 mm thick threaded 304 stainless screws.



Lock&Grip

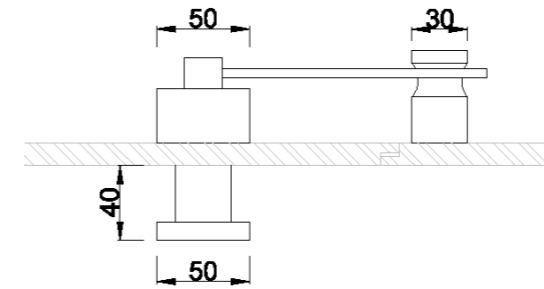
Product Code - SS16P012



- For doors that open outward, the lock is fastened to the door; for doors that open inward, it is fastened to the fixed panel.
- They are made of 304 quality stainless steel
- It has a diameter of 40 mm and a length of 140 cm.
- They're compatible with both 12 mm and 18 mm HPL pannels.
- It has a latch and dial mechanism.
- The latch turning method is used to lock the interior of the cabinet.
- It has a latch and dial, and with the colored mechanism (red-green) on it, it displays from the outside whether the door is busy or not
- it is interfered from the outside in case of an emergency.



Dashboard



Longevity is in the details.

It is an inox profile designed to connect the panels to the wall and other panels.



U Connection Profile Matte

Product Code - PS0112M



NOT AFFECTED BY WATER



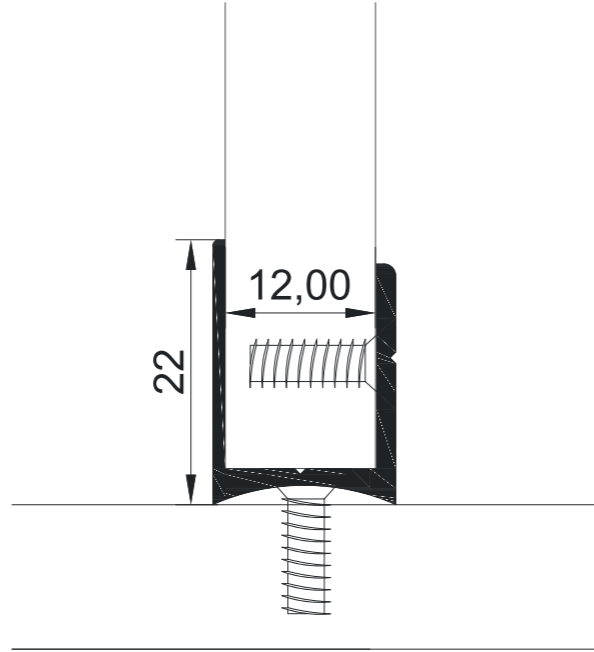
CORROSION RESISTANT



MATTE ANODIZED ALUMINUM COATING

- The edges of the panel are not visible when the cabin system spins to the application of this connection piece.
- The U profile's exterior dimensions will be 22 x 15 mm, with a wall thickness of 1.5 mm.
- It will be used to link U profile-Wall and U profile-Divider Panels.
- Its dimensions are 4.2 x 11 mm. Thick threaded, stainless steel screws are used to fasten it.

300 cm



Details determine longevity.

Made with matte metal to fasten panels to walls and other panels. profil niteliğindedir.

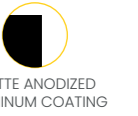


Top Panel Connection Profile Matte

Product Code - PS0212M

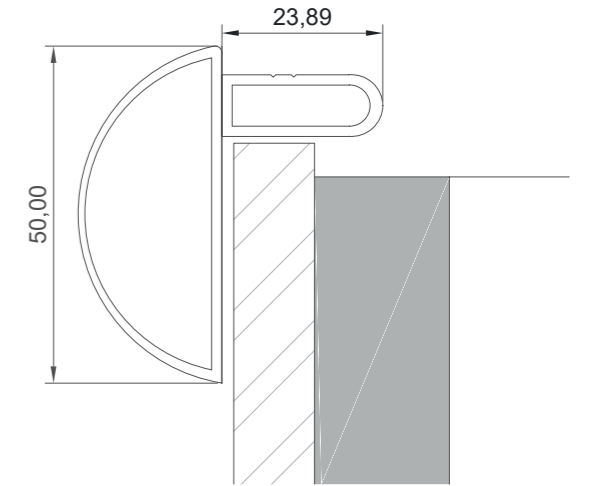
- Matte anodized metal top Profiles will be installed on the cabinet system's top, front, and side edges.
- A curved profile with dimensions of 50 mm x 45 mm and a wall thickness of 1.2 mm will be utilized as the header profile.

300 cm



Details determine sturdiness.

In wet and humid living areas, this unique solution helps to adapt to any curved surface.





Corner Connection Profile

Product Code - PS0412M



NOT AFFECTED BY
WATER



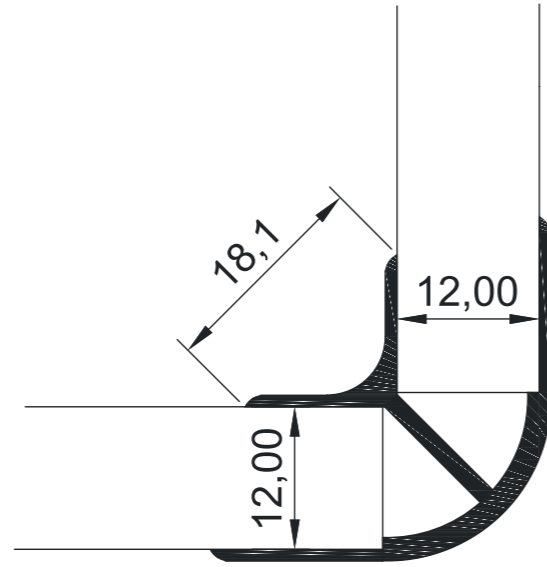
CORROSION
RESISTANT



MATTE ANODIZED
ALUMINUM COATING

- The edges of the panel are not visible when the cabin system spins thanks to the application of this connection piece.
- Size: 30 x 30 mm.
- Compact laminate panels will grab the corner profile on all sides.
- This product attached using 304 grade stainless steel screws with a coarse thread measuring 4,2 x 11 mm.

183 cm



The details provide resistance against time.

The corners are made of matte anodized aluminum and are rounded with an R15 radius.



Details are important for sound isolation.

When the doors are closed, special filaments (epdm type) will be positioned to stop the panels from slamming into one another, isolating unwelcome noises.

Door Bini Profile

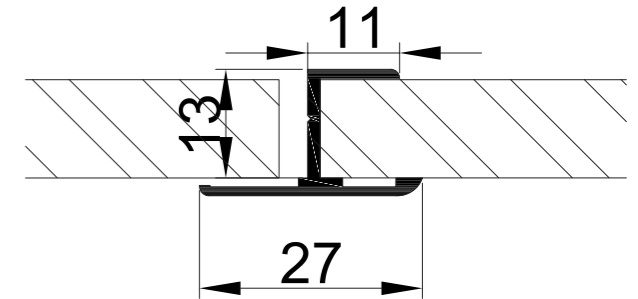
Product Code - PS0312M



- It is an anodized, aluminum matte profile that serves as a boarding at the door by attaching to fixed panels.
- This item measures 4.2 x 11 mm. coarse thread, fastened with 304 stainless screws, in the YHB style.



EPDM Type Filaments





Inox U Pannel Connection Profile

Product Code - PS0112X

- The edges of the panel are not visible when the cabin system spins thanks to the application of this connection piece.
- The U profile's exterior dimensions will be 22 x 15 mm, with a wall thickness of 1.5 mm.
- It will be used to link U profile-Wall and U profile-Divider Panels.
- Its dimensions are 4.2 x 11 mm. Thick threaded, stainless steel screws are used to fasten it.

183 cm



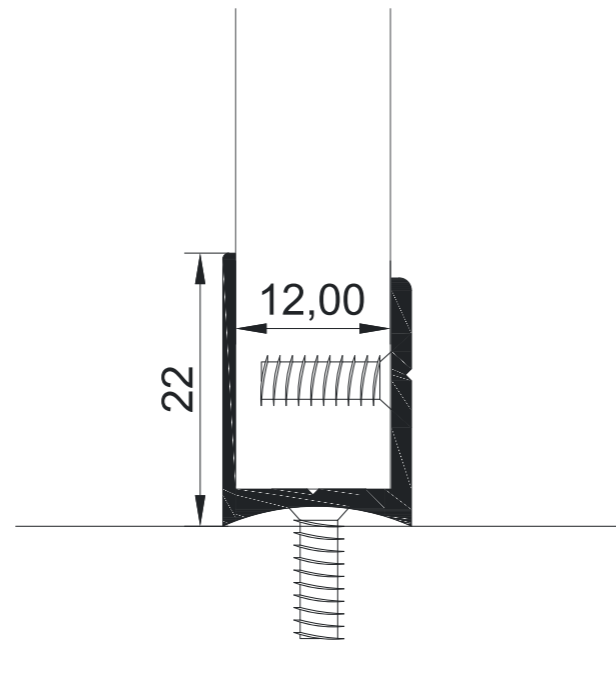
NOT AFFECTED
BY WATER



CORROSION
RESISTANT



MATERIAL ALUMINIUM
INOX LOOK



Details determine longevity.

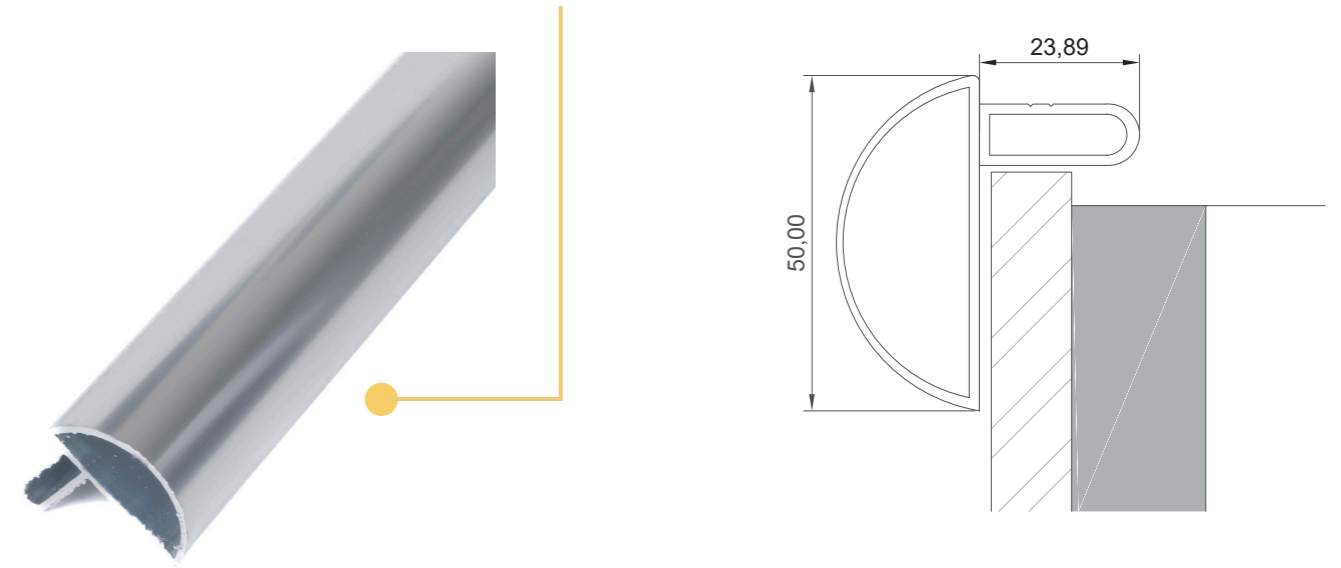
Made with inox profile to fasten panels to walls and other panels.



Inox Top Pannel Connection Profile

Product Code - PS0512X

- Profiles will be installed on the cabinet system's top, front, and side edges.
- A curved profile with dimensions of 50 mm x 45 mm and a wall thickness of 1.2 mm will be utilized as the header profile.



The details determine the appropriate accessory.

Using 3.9x25 screws inserted from the top, the head profile is secured to the panels.



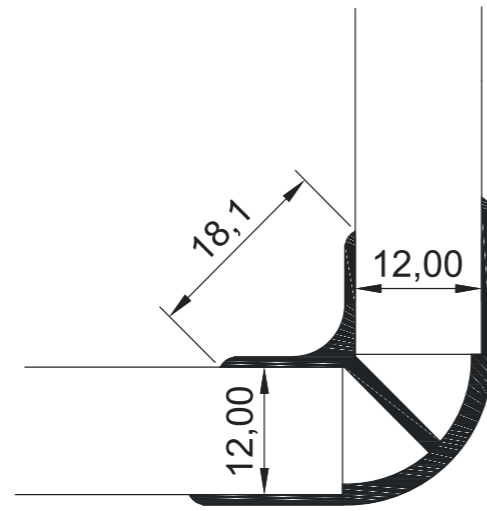


Inox Corner Connection Profile

Product Code - PS0412X

- The edges of the panel are not visible when the cabin system spins thanks to the application of this connection piece.
- Size: 30 × 30 mm.
- Compact laminate panels will grab the corner profile on all sides.
- This product attached using 304 grade stainless steel screws with a coarse thread measuring 4,2 x 11 mm.

 183 cm



The details provide resistance against time.

The corners are made of 304 stainless steel and are rounded with an R15 radius.



Inox Door Profile

Product Code - PS0312X



NOT AFFECTED BY WATER



CORROSION RESISTANT



MATERIAL ALUMINIUM INOX LOOK

- It is an inox profile that serves as a boarding at the door by attaching to fixed panels.
- This item measures 4.2 x 11 mm. coarse thread, fastened with 304 stainless screws, in the YHB style.

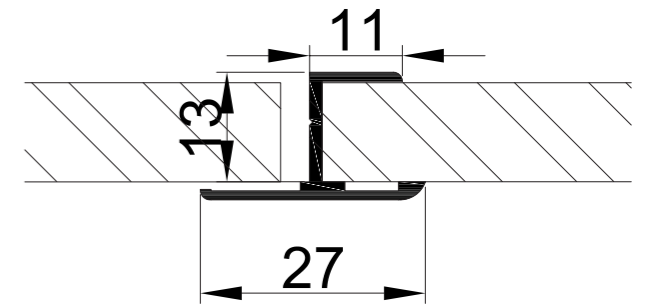


300 cm



Details are important for sound isolation.

When the doors are closed, special filaments (epdm type) will be positioned to stop the panels from slamming into one another, isolating unwelcome noises.



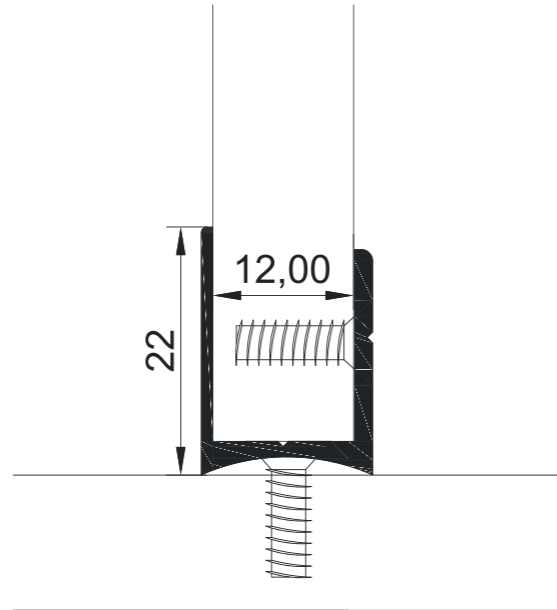


U Pannel Connection – Glossy

Product Code – PS0112P

- The edges of the panel are not visible when the cabin system spins thanks to the application of this connection piece.
- The U profile's exterior dimensions will be 22 x 15 mm, with a wall thickness of 1.5 mm.
- It will be used to link U profile–Wall and U profile–Divider Panels.
- Its dimensions are 4.2 x 11 mm. Thick threaded, stainless steel screws are used to fasten it.

 183 cm



Details determine longevity.

Made with glossy metal profile to fasten panels to walls and other panels.



Top Pannel Connection - Glossy

Product Code - PS0212P

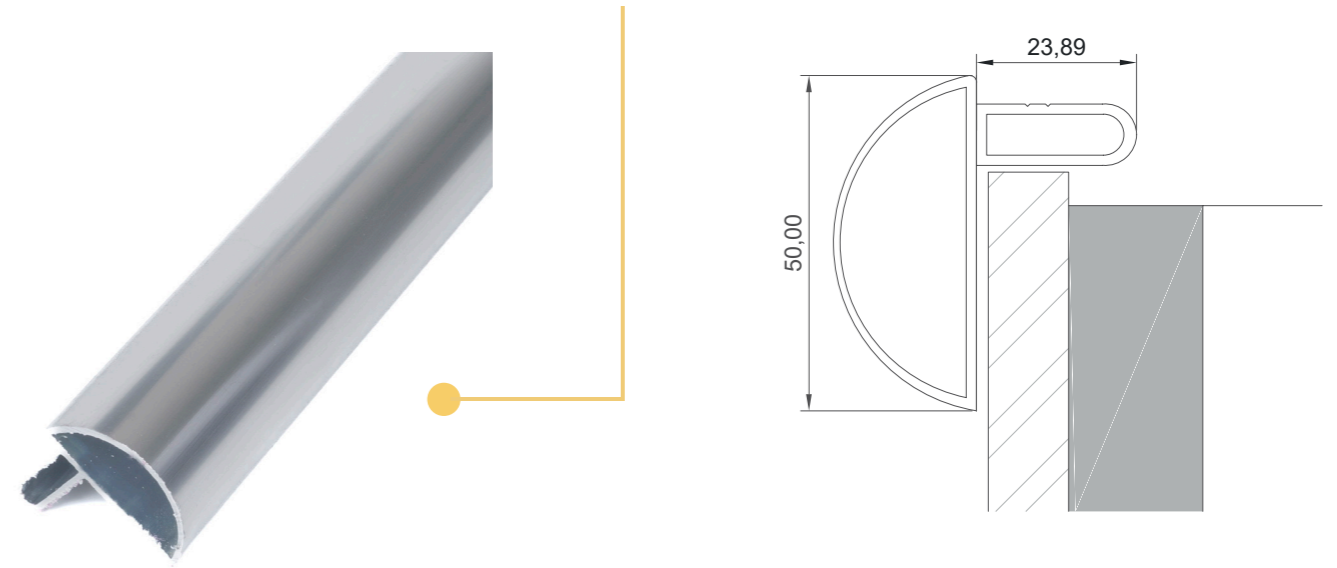
- Matte anodized metal top Profiles will be installed on the cabinet system's top, front, and side edges.
- A curved profile with dimensions of 50 mm x 45 mm and a wall thickness of 1.2 mm will be utilized as the header profile.

 300 cm



The details are where accessory aesthetics is hidden.

3.9x25 screws are used to attach the head profile to the panels from the top.



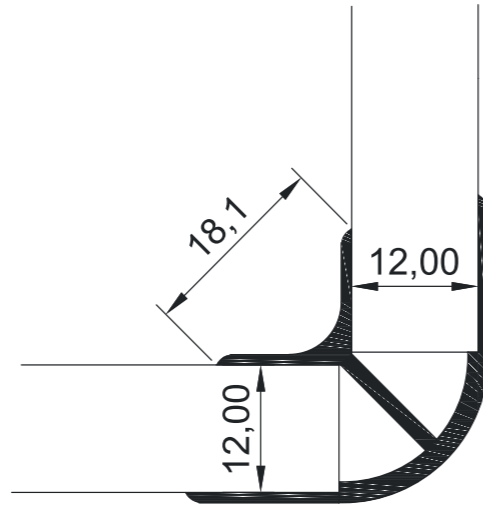


Corner Connection Profile – Glossy

Product Code – PS0412P

- The edges of the panel are not visible when the cabin system spins thanks to the application of this connection piece.
- Size: 30 × 30 mm.
- Compact laminate panels will grab the corner profile on all sides.
- This product attached using 304 grade stainless steel screws with a coarse thread measuring 4,2 x 11 mm.

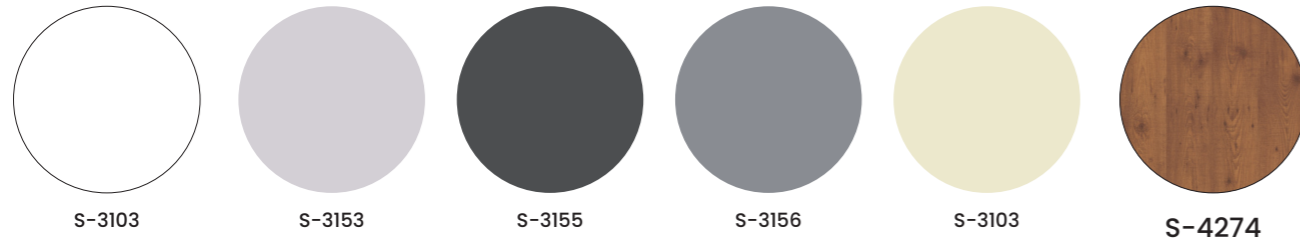
183 cm



The details provide resistance against time.

The corners are made of 304 stainless steel and are rounded with an R15 radius.

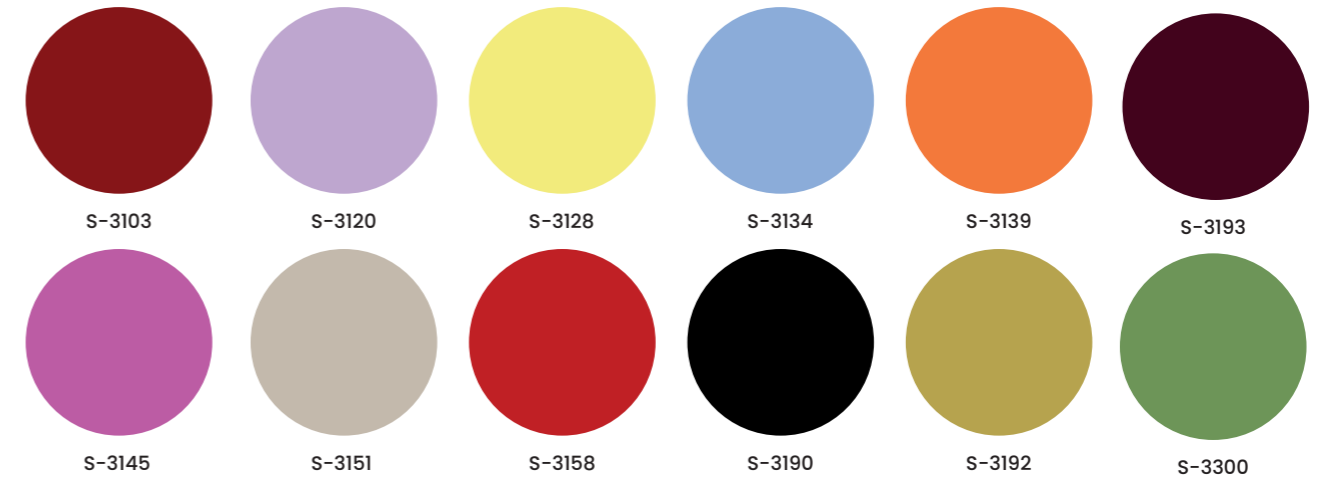
Stock Colors



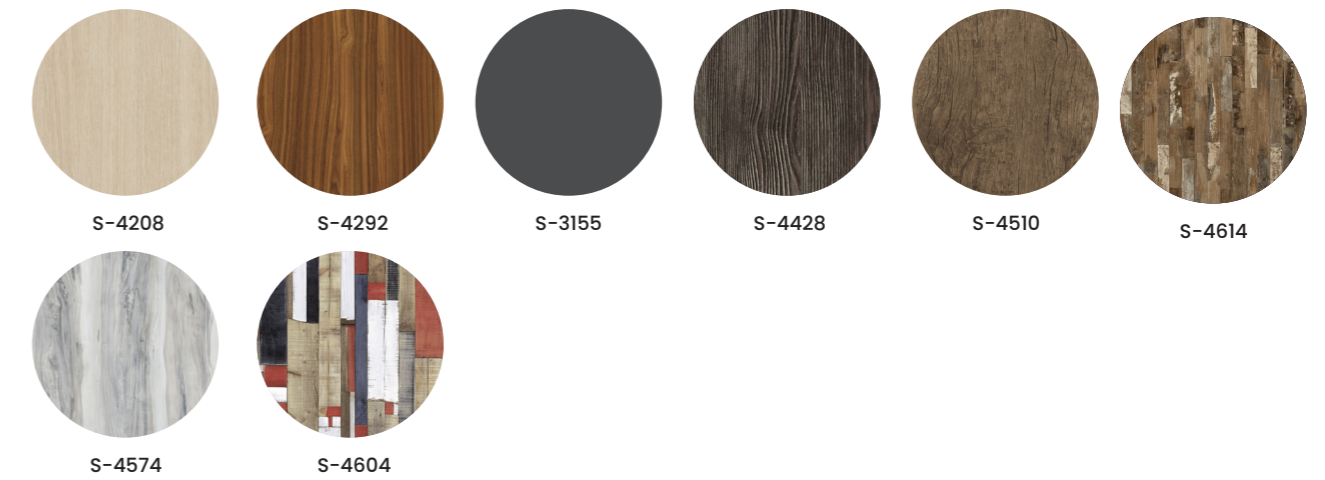
It is possible to prefer static paint with RAL color chart code for accessory products.



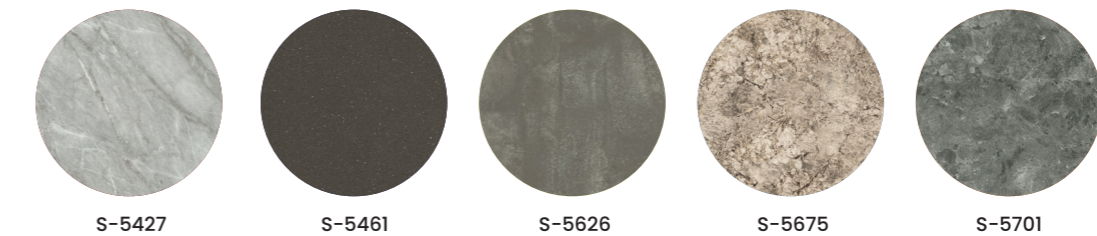
Solid Colors (Out of Stock Production Process 4-8 weeks)



Wood Colors (Out of Stock Production Process 4-8 weeks)



Marble Pattern Colors (Out of Stock Production Process 4-8 weeks)



Product Care

Why is maintenance necessary?

It is critical to maintain stainless surfaces in order to maximize product life and corrosion resistance.

What supplies are needed?

This is simply accomplished by dampening a clean cloth in warm water with a tiny bit of detergent or soap.

How to care?

To begin, use a wet cloth to remove coarse grit and grime from the product to be cared for.

Next, thoroughly rinse your cloth. Wiping effectively requires gently rubbing the substance or ingredients.

Attention!

Product maintenance should not be performed using carbon steel brushes or wool wire.



Product Warranty

Warranty

For two years, SANDER guarantees all of its products against corrosion and mechanical flaws.

(*) Our organization accepts no liability in the following situations:

Failure to follow assembly instructions,

In the case of wear and tear caused by maintenance mistakes, in the case of loss or damage caused by user errors, in the case of incorrect disassembly, removal, or replacement, and in the transportations used to carry the product from one location to another.

(**) The right to change

SANDER retains the right to make modifications to standard product features and dimensions without previous notification in order to adhere to the idea of always enhancing service quality.



SANDER

From Turkey to the World, with **environmental,**
ecological, and national values...



SANDER

Adding values to your living spaces



Contact Us

0850 255 39 55



SALES OFFICE

Regus Ofis Park
Merkez Mah. Baęlar Cad. No:14
C2 Blok Zemin Kat, 34406
Kaęthane İstanbul, Türkiye

✉ teklif@sander.com.tr

🌐 www.sanderkabin.com.tr



FACTORY

Mehmet Akif Mah.
Petrol Yolu Cad. No:212 A
Sultanbeyli, İstanbul Türkiye

✉ info@sander.com.tr

🌐 www.sander.com.tr